



PIAGGIO & C.s.p.a.



SPARE PARTS CATALOGUE



65 GT 650 1987-1989

Chassis prefix: ZGUPG

Engine prefix:

65 GT

GU057



Index

Products.....	3
Part reference.....	4
FRAME.....	9
Drawing 33.01 - Battery.....	9
Drawing 33.02 - Body.....	11
Drawing 33.03 - Bevel gear.....	12
Drawing 33.04 - Instrument panel.....	15
Drawing 33.05 - Headlight.....	17
Drawing 33.06 - Taillight.....	18
Drawing 33.07 - Front fork.....	19
Drawing 33.08 - Swing arm-rear wh., alloy.....	21
Drawing 33.09 - Electrical system.....	22
Drawing 33.10 - RH Front brake system.....	23
Drawing 33.11 - Front LH/rear brake system.....	25
Drawing 33.12 - Handlebar - Controls.....	27
Drawing 33.13 - Front/rear mudguards.....	29
Drawing 33.14 - Foot rests - Lateral stand.....	31
Drawing 33.15 - Rear master cylinder.....	33
Drawing 33.16 - Front wheel.....	35
Drawing 33.17 - Rear wheel.....	36
Drawing 33.18 - Front/rear shock absorber.....	37
Drawing 33.19 - Frame.....	38
Drawing 33.21 - Fuel supply.....	39
Drawing 33.22 - Intake.....	40
Drawing 33.29 - Exhaust unit.....	41
ENGINE.....	42
Drawing 34.20 - Drive shaft.....	42
Drawing 34.23 - Gear box.....	43
Drawing 34.24 - Carburettors.....	46
Drawing 34.25 - Crankcase.....	48
Drawing 34.26 - Cylinder head.....	50
Drawing 34.27 - Timing system.....	51
Drawing 34.28 - Clutch.....	53
Drawing 34.30 - Oil pump.....	55
Drawing 34.31 - Transmission cage.....	56



65 GT
GU057 - 65 GT 650 1987-1989

Chassis prefix: ZGUPG
Engine prefix:

Products

Code	Validity
no products	



Code	Drawing Nr.	Pos.	Code	Drawing Nr.	Pos.	Code	Drawing Nr.	Pos.
GU00823950050	33.15	24	GU14615901	33.03	29	GU19045861	34.27	25
GU03441130	33.14	21	GU14615901	33.07	39	GU19054521	34.27	17
GU10054100	34.23	12	GU14615901	33.08	20	GU19055700	34.27	23
GU10054100	34.23	58	GU14615901	34.20	19	GU19058021	34.27	19
GU10158201	34.30	17	GU14616150	33.16	11	GU19058220	34.27	20
GU10158701	34.30	18	GU14616150	33.17	11	GU19060663	34.20	16
GU10214301	34.23	27	GU14634400	33.17	8	GU19060763	34.20	11
GU10214302	34.23	27	GU14657050	33.11	10	GU19061063	34.20	12
GU10214303	34.23	27	GU14705350	33.01	3	GU19061263	34.20	13
GU10214304	34.23	27	GU14707000	33.01	2	GU19061363	34.20	14
GU10214305	34.23	27	GU14717400	33.01	39	GU19061561	34.20	3
GU10528900	33.03	11	GU14717600	33.01	5	GU19061860	34.20	17
GU10528900	33.03	9	GU14730570	33.01	44	GU19062261	34.20	4
GU10528900	34.25	22	GU14756255	33.05	5	GU19064161	34.20	1
GU10528900	34.31	23	GU14768650	33.04	10	GU19065400	34.20	2
GU10933700	34.24	18	GU14769200	33.04	21	GU19067700	34.20	18
GU10934900	34.24	38	GU14931650	34.24	32	GU19067900	34.28	5
GU12003702	34.25	30	GU14934650	34.24	11	GU19083462	34.28	2
GU12022600	33.03	6	GU17573860	33.11	14	GU19102750	33.02	8
GU12022600	34.31	24	GU17658260	33.10	7	GU19111060	33.22	5
GU12087001	34.28	10	GU17658360	33.10	6	GU19111160	33.22	6
GU12150700	34.30	21	GU17659350	33.15	30	GU19112960	33.22	3
GU12150900	34.30	19	GU17661052	33.15	23	GU19113460	33.22	9
GU12154200	34.25	33	GU17740405	33.05	11	GU19113760	33.22	7
GU12154200	34.31	12	GU17750520	33.09	6	GU19113960	33.22	4
GU12159000	34.30	10	GU17751100	33.12	28	GU19114060	33.22	1
GU12434001	33.14	5	GU17937450	34.24	22	GU19114360	33.21	10
GU12626800	34.23	45	GU18252050	33.14	41	GU19114460	33.21	13
GU12717600	33.12	29	GU18257950	34.23	44	GU19114680	33.21	12
GU12717600	33.21	20	GU18258101	34.23	48	GU19115060	33.21	3
GU12735100	33.11	11	GU18513460	33.07	6	GU19115061	33.21	4
GU12937200	34.24	10	GU18513560	33.07	2	GU19115580	33.21	5
GU13021900	34.26	12	GU18516660	33.07	10	GU19120765	33.29	1
GU13432640	33.14	4	GU18740435	33.05	3	GU19120766	33.29	2
GU13933100	34.24	42	GU19001200	34.25	15	GU19121050	33.29	7
GU13934600	34.24	36	GU19002020	34.25	9	GU19121135	33.29	3
GU13934700	34.24	37	GU19002020	34.31	16	GU19122960	33.29	10
GU13936200	34.24	26	GU19003400	34.25	26	GU19123060	33.29	11
GU13936300	34.24	27	GU19003502	34.25	19	GU19128660	33.29	13
GU13936600	34.24	30	GU19003602	34.25	20	GU19128760	33.29	14
GU13936700	34.24	31	GU19003800	34.25	8	GU19146422	34.30	1
GU13937800	34.24	25	GU19004920	34.25	28	GU19147721	34.30	23
GU13937900	34.24	21	GU19007700	33.01	33	GU19147820	34.30	4
GU14086000	34.28	9	GU19015020	34.25	5	GU19148420	34.30	5
GU14086100	34.28	11	GU19015460	34.25	37	GU19149800	34.30	24
GU14090201	34.28	13	GU19016320	34.25	10	GU19152200	34.30	13
GU14090400	34.28	14	GU19017000	33.14	31	GU19153000	34.30	16
GU14107100	33.19	17	GU19017120	34.25	17	GU19200320	34.31	10
GU14126900	33.29	12	GU19018920	34.30	12	GU19200462	34.28	26
GU14217901	34.28	31	GU19021360	34.26	18	GU19201120	34.31	15
GU14217901	34.28	6	GU19021920	34.26	7	GU19202320	34.31	29
GU14217901	34.31	7	GU19022180	34.26	1	GU19203460	34.28	29
GU14251001	33.15	2	GU19022280	34.26	2	GU19206501	33.03	10
GU14251001	34.23	55	GU19023520	34.26	9	GU19206501	34.31	22
GU14423800	33.22	23	GU19023700	34.26	10	GU19207220	34.31	11
GU14474650	33.13	37	GU19025280	33.29	5	GU19208220	34.31	27
GU14494600	33.18	3	GU19025300	34.26	6	GU19210561	34.23	1
GU14516700	33.18	4	GU19027500	34.27	15	GU19210760	34.28	20
GU14517000	33.18	5	GU19030500	34.27	7	GU19211160	34.23	57
GU14547800	33.08	14	GU19032080	34.27	10	GU19211361	34.23	8
GU14551655	33.18	15	GU19032380	34.27	11	GU19211460	34.23	6
GU14609650	33.01	36	GU19032980	34.27	14	GU19211861	34.23	5
GU14609650	33.09	13	GU19034000	34.27	8	GU19212061	34.23	2
GU14609650	33.11	15	GU19036082	34.27	1	GU19212900	34.23	15
GU14609650	33.12	35	GU19036183	34.27	2	GU19213661	34.23	14
GU14609650	33.19	18	GU19037820	34.26	8	GU19213720	34.23	17
GU14611255	33.16	14	GU19045060	34.27	26	GU19213760	34.28	22



Code	Drawing Nr.	Pos.	Code	Drawing Nr.	Pos.	Code	Drawing Nr.	Pos.
GU19213820	34.31	5	GU19356760	34.28	24	GU23060190	34.26	17
GU19214063	34.23	24	GU19356801	33.03	37	GU23060271	34.20	10
GU19214660	34.23	11	GU19357660	33.03	25	GU23093070	33.12	34
GU19214860	34.23	21	GU19433000	33.14	12	GU23093870	33.12	30
GU19215161	34.23	22	GU19433000	33.22	22	GU231002301	33.02	1
GU19215261	34.23	23	GU19434000	33.14	14	GU23105370	33.02	3
GU19215460	34.23	3	GU19436500	33.11	13	GU23105470	33.02	4
GU19218061	34.23	25	GU19498060	33.18	21	GU23112674	33.21	1
GU19218062	34.23	9	GU19540261	33.08	1	GU23112675	33.21	2
GU19231020	34.23	35	GU19540261	33.08	1	GU23117570	33.12	22
GU19231220	34.23	34	GU19547000	33.08	12	GU23117770	33.12	33
GU19234420	34.23	30	GU19548001	33.08	8	GU23132810	33.21	15
GU19234600	34.23	31	GU19548101	33.08	9	GU23214571	34.23	20
GU19235800	34.31	8	GU19555200	33.18	12	GU23217800	34.27	28
GU19237800	34.31	13	GU19555260	33.18	20	GU23328081	33.08	7
GU19250900	34.23	54	GU19556160	33.18	8	GU23400140	33.19	1
GU19256920	34.23	51	GU196103351	33.16	1	GU234203401	33.14	1
GU19257551	33.15	7	GU19615335	33.16	3	GU234221401	33.14	2
GU19257701	34.23	60	GU19632501	33.17	2	GU23430340	33.14	3
GU19258220	34.23	41	GU19632502	33.17	3	GU23436440	33.13	43
GU19327601	33.08	5	GU19633360	33.17	7	GU23436540	33.13	48
GU19327701	33.08	2	GU19633935	33.17	6	GU23440710	33.14	18
GU19328061	33.08	7	GU19634100	33.17	12	GU23441210	33.14	23
GU19328801	33.08	3	GU19635736	33.03	28	GU23441810	33.14	19
GU19350421	33.03	13	GU19636400	33.17	10	GU23442210	33.14	40
GU19350700	33.03	22	GU19652700	33.10	11	GU23442310	33.14	26
GU19351100	33.03	4	GU19652700	33.11	18	GU23443210	33.14	24
GU19351401	33.03	16	GU19654900	33.11	5	GU23450210	33.13	32
GU19351900	33.03	2	GU19658660	33.11	7	GU23464430	33.13	44
GU19352300	33.03	23	GU19659500	33.15	28	GU23468230	33.06	13
GU19352401	33.03	31	GU19659600	33.15	29	GU23468430	33.06	14
GU19353500	33.03	24	GU19667500	33.15	14	GU234726301	33.13	20
GU19355121	33.03	34	GU19667600	33.15	15	GU23490340	33.18	1
GU19355200	33.03	35	GU19668000	33.11	6	GU23493140	33.07	7
GU19355202	33.03	36	GU19675000	33.15	6	GU23494040	33.07	1
GU19355300	33.03	33	GU19677000	33.15	1	GU23496170	33.07	33
GU19355301	33.03	33	GU19704800	33.01	4	GU23496270	33.07	34
GU19355302	33.03	33	GU19705900	33.13	11	GU23497910	33.07	45
GU19355303	33.03	33	GU19707100	33.01	35	GU23505810	33.18	17
GU19355304	33.03	33	GU19718000	33.21	17	GU23522540	33.07	11
GU19355305	33.03	33	GU19730580	33.01	44	GU23522640	33.07	12
GU19355306	33.03	33	GU19733350	33.01	42	GU23525440	33.07	17
GU19355307	33.03	33	GU19740404	33.05	7	GU23548080	33.08	8
GU19355308	33.03	33	GU19740454	33.05	2	GU23548180	33.08	9
GU19355309	33.03	33	GU19741336	33.01	10	GU23630640	33.17	1
GU19355320	33.03	44	GU19748000	33.01	34	GU23653011	33.11	1
GU19355321	33.03	44	GU19748400	33.01	13	GU23657110	33.10	3
GU19355322	33.03	44	GU19768680	33.04	17	GU23659310	33.10	16
GU19355323	33.03	44	GU19782520	33.19	2	GU23661110	33.10	15
GU19355324	33.03	44	GU19912700	33.02	14	GU23707100	33.01	12
GU19355325	33.03	44	GU19934480	34.24	41	GU23721494	33.09	9
GU19355326	33.03	44	GU19934600	34.24	7	GU23734230	33.09	14
GU19355327	33.03	44	GU19934960	34.24	2	GU23738070	33.12	2
GU19355328	33.03	44	GU19935080	34.24	12	GU23740418	33.05	6
GU19355329	33.03	44	GU19935580	34.24	3	GU23747130	33.09	1
GU19355360	34.23	32	GU19935750	34.24	4	GU23747211	33.09	2
GU19355400	33.03	21	GU19936000	34.24	6	GU23747330	33.09	7
GU19355402	33.03	21	GU19937180	34.24	13	GU23750370	33.12	3
GU19355404	33.03	21	GU19938580	34.24	14	GU23750670	33.05	13
GU19355406	33.03	21	GU19938880	34.24	20	GU23750670	33.06	11
GU19355408	33.03	21	GU19939980	34.24	19	GU23751310	33.18	24
GU19355410	33.03	21	GU20000320	34.25	1	GU23753710	33.05	16
GU19355411	33.03	21	GU20085720	34.28	8	GU23753710	33.06	10
GU19355412	33.03	21	GU20350220	33.08	21	GU23760010	33.04	1
GU19355413	33.03	21	GU20354621	33.03	18	GU23761570	33.04	2
GU19356320	33.03	19	GU20527620	33.07	14	GU23761910	33.04	5
GU19356700	33.03	39	GU20999520	34.23	38	GU23762010	33.04	6



Code	Drawing Nr.	Pos.	Code	Drawing Nr.	Pos.	Code	Drawing Nr.	Pos.
GU23764110	33.04	19	GU27999060	34.25	35	GU31659165	33.11	23
GU23764910	33.04	9	GU28113650	33.22	2	GU31659265	33.10	20
GU23765110	33.04	8	GU28434300001	33.13	1	GU31659265	33.11	24
GU23766510	33.04	13	GU28439800	33.06	4	GU31666990	33.15	13
GU23766910	33.04	32	GU28500233	33.07	38	GU31716560	33.01	7
GU23766911	33.04	20	GU28524500	33.07	18	GU31717060	33.01	40
GU23767270	33.04	4	GU28527540	33.07	21	GU31722140	33.09	12
GU23768110	33.04	14	GU28529641	33.07	29	GU31735360	33.01	23
GU23768310	33.04	3	GU28556250	33.07	26	GU31999565	34.25	34
GU23922210	33.18	18	GU28556250	33.18	9	GU31999581	34.30	9
GU23923330	33.02	12	GU28556350	33.07	28	GU35214300	33.08	13
GU23934870	34.24	1	GU28556350	33.18	11	GU35755780	33.04	29
GU23943410	33.07	44	GU28556450	33.07	25	GU39103400	33.19	15
GU23943510	33.05	10	GU28556450	33.18	10	GU39103500	33.19	10
GU23999290	33.18	6	GU28600334	33.12	1	GU39238100	34.23	59
GU23999570	33.12	31	GU28659740	33.13	4	GU39654700	33.10	8
GU25656100	33.10	5	GU28703800	33.01	18	GU39654700	33.11	25
GU25656100	33.11	9	GU28712400	33.01	41	GU39659000	33.10	18
GU27001136	34.25	25	GU28712459	33.01	37	GU39659000	33.11	22
GU27001636	34.25	24	GU28712500	33.01	11	GU39659100	33.10	19
GU27020820	34.26	24	GU28732560	33.09	5	GU39659100	33.11	23
GU27022060	34.26	19	GU28740533	33.05	1	GU39663801	33.10	9
GU27045420	34.27	29	GU28742560	33.09	4	GU39741101	33.12	10
GU27053362	34.27	16	GU28745761	33.04	28	GU39937600	34.24	24
GU27062060	34.20	6	GU28769533	33.18	25	GU43934000	34.24	35
GU27065660	34.20	7	GU28929940	33.02	15	GU53429500	33.14	32
GU27066460	34.20	9	GU29106500	33.02	5	GU55234700	34.31	20
GU27066560	34.20	8	GU29132050	33.12	24	GU61013800	33.04	33
GU27080160	34.28	1	GU29132350	33.12	26	GU61013800	33.18	22
GU27084460	34.28	4	GU29132650	33.12	27	GU61013800	33.21	9
GU27108935	33.19	19	GU29132750	33.21	21	GU61013800	33.29	8
GU27109085	33.19	16	GU29133250	33.12	25	GU61013800	34.23	52
GU27133515	33.21	16	GU29603050	33.12	7	GU61025400	33.29	6
GU27157420	33.22	21	GU29603550	33.12	11	GU61027200	34.26	23
GU27159360	33.22	20	GU29603650	33.12	14	GU61036801	34.26	3
GU27159661	33.22	17	GU29603750	33.12	18	GU61037000	34.27	13
GU27418220	33.19	7	GU29604650	33.12	12	GU61037500	34.27	4
GU27432085	33.14	11	GU29604850	33.12	19	GU61037600	34.27	3
GU274366201	33.13	47	GU29605550	33.12	6	GU61038000	34.27	5
GU27436920	33.13	3	GU29608750	33.12	5	GU61038100	34.27	6
GU27437085	33.13	12	GU29660250	33.10	1	GU61054900	34.27	18
GU27438635	33.13	5	GU29722270	33.01	26	GU61108400	33.02	6
GU27460586	33.02	9	GU29743752	33.05	17	GU61108400	33.22	19
GU27462085	33.13	23	GU29743753	33.05	18	GU61108500	33.02	7
GU27468720	33.13	28	GU29765250	33.04	15	GU61126920	33.29	4
GU27474385	33.13	16	GU29999250	33.12	15	GU61127220	33.29	21
GU27499120	33.07	32	GU30607910	33.12	23	GU61127520	33.29	20
GU27526320	33.07	37	GU30607910	33.21	14	GU61238200	34.23	39
GU27526485	33.07	19	GU30730711	33.01	43	GU61270300	33.03	26
GU27526685	33.07	22	GU30743000	33.09	3	GU61270300	33.10	14
GU275703861	33.02	10	GU31001480	34.25	14	GU61270300	33.11	20
GU275704861	33.02	11	GU31110715	33.22	8	GU61270300	33.11	3
GU27654610	33.10	17	GU31110815	33.22	10	GU61270300	33.13	51
GU27654610	33.11	26	GU31114165	33.22	11	GU61270300	33.29	15
GU27658720	33.11	12	GU31153481	33.22	16	GU61270300	34.25	6
GU27658885	33.11	16	GU31200280	34.31	17	GU61270300	34.26	21
GU27710435	33.09	11	GU31200880	34.31	1	GU61270300	34.28	35
GU27721037	33.01	29	GU31350380	33.03	1	GU61609630	33.09	13
GU27723835	33.09	10	GU31550240	33.18	6	GU61609630	33.12	35
GU27725820	33.09	8	GU31613380	33.16	4	GU61762530	33.16	15
GU27736885	33.01	22	GU31652265	33.11	17	GU62103920	33.02	2
GU27740985	33.06	1	GU31652365	33.10	10	GU62614420	33.16	8
GU27760410	33.04	12	GU31654665	33.10	17	GU62616320	33.16	12
GU27900035	33.13	45	GU31654665	33.11	26	GU65659200	33.10	20
GU27934315	34.24	8	GU31654765	33.10	8	GU65659200	33.11	24
GU27935960	34.24	5	GU31654765	33.11	25	GU65663500	33.15	21
GU27991561	34.31	30	GU31659165	33.10	19	GU65933600	34.24	15

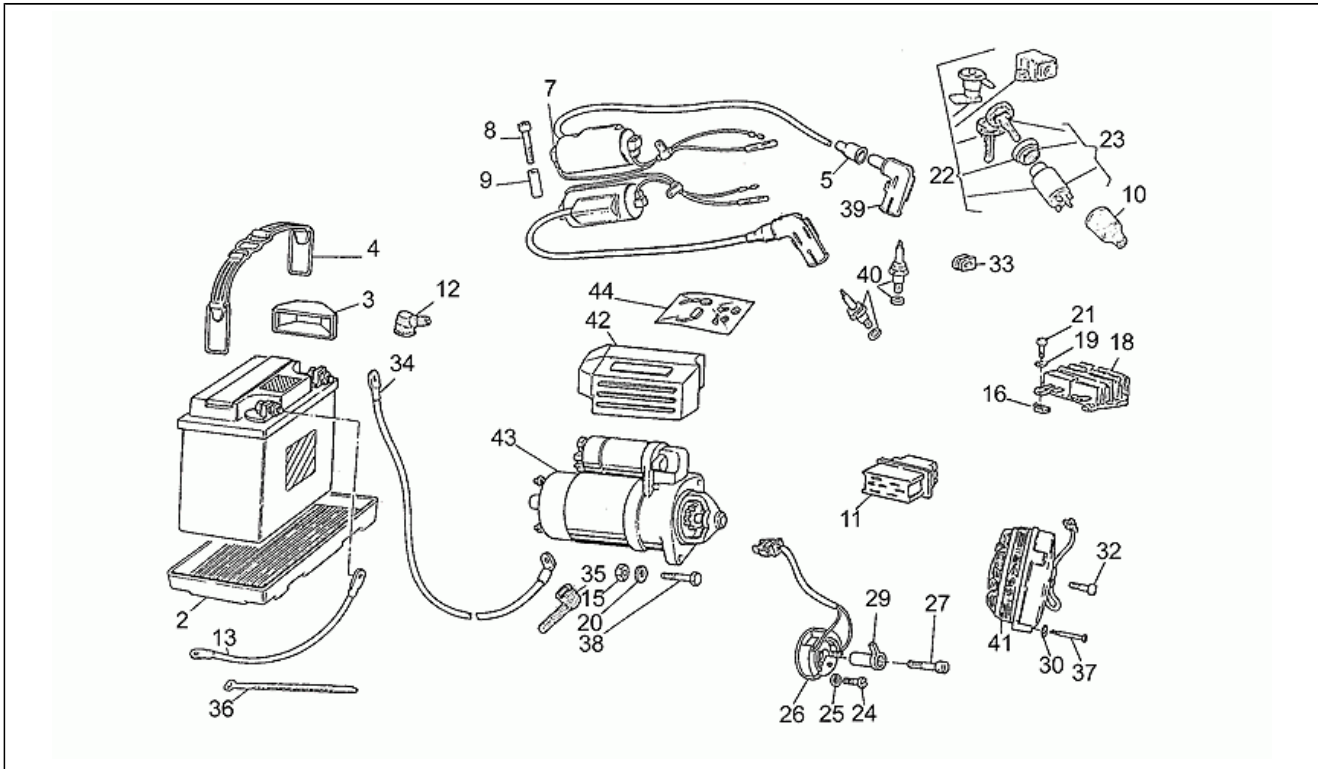


Code	Drawing Nr.	Pos.	Code	Drawing Nr.	Pos.	Code	Drawing Nr.	Pos.
GU65933700	34.24	28	GU92204218	33.17	4	GU93305018	33.22	18
GU66659031	33.10	18	GU92218417	34.23	10	GU93305032	33.21	11
GU66659031	33.11	22	GU92230320	34.23	13	GU93305045	33.21	18
GU69157801	33.15	25	GU92234716	34.23	26	GU93305052	33.21	19
GU90271003	33.15	9	GU92249220	33.03	32	GU93305074	33.08	10
GU90271018	34.27	12	GU92249223	33.03	20	GU93450119	33.05	12
GU90271020	34.23	33	GU92249225	33.18	2	GU93450120	33.04	11
GU90271117	34.23	29	GU92251023	34.23	7	GU93450127	33.05	15
GU90271121	34.23	19	GU92252210	34.30	3	GU93450127	33.06	9
GU90271127	34.23	4	GU92252235	33.03	5	GU93450140	33.04	18
GU90272023	33.08	4	GU92295911	34.30	8	GU93450224	33.06	2
GU90272075	34.28	3	GU92296726	34.30	7	GU93450232	33.05	4
GU90353009	34.26	4	GU92297909	34.23	36	GU94321067	34.31	21
GU90353029	34.27	24	GU92601206	33.12	20	GU94321072	34.30	20
GU90353030	33.03	17	GU92601208	34.25	7	GU94321099	33.08	6
GU90400616	34.28	21	GU92602205	33.13	24	GU94321105	34.28	16
GU90401530	34.25	11	GU92602205	33.13	30	GU94322215	33.14	8
GU90402038	34.25	18	GU92602206	33.05	19	GU95000205	33.01	25
GU90402841	34.31	3	GU92602206	33.14	39	GU95000205	33.13	25
GU90403245	34.28	19	GU92602206	33.15	20	GU95000205	33.22	14
GU90403247	33.03	41	GU92602206	34.23	46	GU95000206	33.13	8
GU90403547	33.03	3	GU92602208	33.01	15	GU95000206	33.15	18
GU90403857	33.07	13	GU92602208	33.03	43	GU95000208	33.07	40
GU90405367	34.25	13	GU92602208	33.11	4	GU95000208	33.13	50
GU90407590	33.03	15	GU92602208	33.13	36	GU95000208	33.14	20
GU90706076	34.26	25	GU92602208	33.29	16	GU95000208	33.16	7
GU90706092	33.13	42	GU92602208	34.28	36	GU95000208	33.19	9
GU90706094	33.07	36	GU92602210	33.08	18	GU95000210	33.14	9
GU90706140	34.31	4	GU92602210	33.14	34	GU95004205	33.04	22
GU90706170	34.28	12	GU92602210	33.14	37	GU95004208	33.01	20
GU90706188	33.03	38	GU92602210	33.19	22	GU95004208	33.13	35
GU90706188	34.23	18	GU92602210	33.19	6	GU95004210	33.05	8
GU90706203	33.03	7	GU92602308	33.07	20	GU95004210	33.08	17
GU90706203	34.31	25	GU92602316	33.17	9	GU95004210	33.14	33
GU90706235	34.28	23	GU92602406	34.27	9	GU95004210	33.14	36
GU90706282	33.07	27	GU92602410	33.29	19	GU95004210	33.19	21
GU90706282	34.25	29	GU92602508	34.28	15	GU95004215	33.15	4
GU90706444	34.25	27	GU92602510	34.30	25	GU95004217	33.16	9
GU90706552	33.03	40	GU92602512	34.31	14	GU95007210	33.07	4
GU90716057	33.13	39	GU92602516	33.16	10	GU95008206	33.04	24
GU91180602	33.14	28	GU92630105	33.13	41	GU95008206	33.13	13
GU91180607	33.04	26	GU92630106	33.04	27	GU95008206	33.13	22
GU91180607	33.06	7	GU92630106	33.13	10	GU95008206	33.15	16
GU91180607	33.13	18	GU92630106	33.13	15	GU95008206	33.19	13
GU91180705	33.15	31	GU92630106	33.13	19	GU95021105	33.01	30
GU91180706	33.18	19	GU92630106	33.19	14	GU95021105	33.22	13
GU91180716	33.01	9	GU92630106	34.23	53	GU95021106	33.05	21
GU91180716	33.19	11	GU92630206	33.06	5	GU95021106	33.15	19
GU91180913	33.06	15	GU92630508	33.07	41	GU95021106	34.23	43
GU91181016	33.07	5	GU92630510	33.14	10	GU95021108	33.13	34
GU91181114	33.14	7	GU92660010	34.25	36	GU95022110	33.29	18
GU91181407	33.18	13	GU92660010	34.26	11	GU95100059	33.01	19
GU91181804	33.16	13	GU92660501	33.01	16	GU95100059	33.09	17
GU91182010	34.23	40	GU92660501	33.09	18	GU95100059	33.13	40
GU91551082	33.13	27	GU92660501	33.13	26	GU95100059	33.15	27
GU91551085	33.04	25	GU92670305	33.22	15	GU95100116	33.07	16
GU91551085	33.06	8	GU92690073	33.15	8	GU95100116	33.21	7
GU91551085	33.13	17	GU92701062	33.29	9	GU95100118	33.06	6
GU91551085	33.19	3	GU92730082	33.16	6	GU95100141	33.13	9
GU91551092	33.13	31	GU92781081	33.08	19	GU95100250	33.10	13
GU92201070	33.03	14	GU92781100	33.07	30	GU95100250	33.11	21
GU92201120	34.31	28	GU93110060	33.04	30	GU95100251	33.10	13
GU92201220	34.23	16	GU93110060	33.13	7	GU95100251	33.11	21
GU92201225	34.28	28	GU93110082	33.13	14	GU95100256	33.18	14
GU92204215	34.31	2	GU93180105	33.08	11	GU95100523	34.30	22
GU92204217	33.16	2	GU93180220	34.28	27	GU95100709	34.25	31
GU92204217	33.17	5	GU93180245	34.26	22	GU95120105	33.19	5



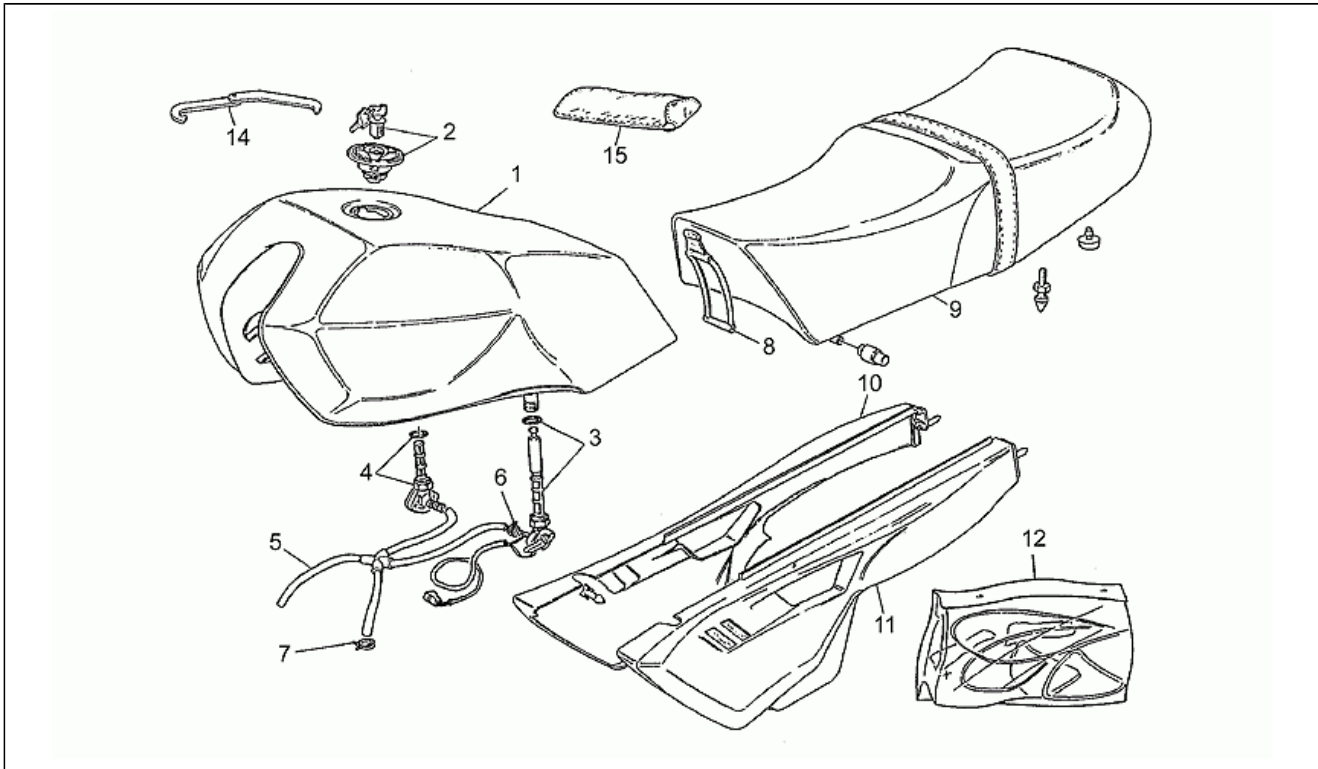
Code	Drawing Nr.	Pos.	Code	Drawing Nr.	Pos.
GU95129110	33.15	11	GU98310610	33.21	6
GU95129110	34.23	47	GU98326014	33.18	26
GU95129115	34.27	22	GU98610325	34.26	16
GU95129130	33.14	25	GU98610540	33.07	8
GU95129180	34.25	38	GU98612316	33.12	21
GU95129180	34.26	13	GU98612535	33.07	9
GU95129260	33.15	3	GU98620240	33.01	8
GU95129260	34.23	56	GU98620250	33.01	32
GU95187006	34.30	15	GU98620330	34.25	39
GU95500222	33.14	22	GU98620330	34.28	32
GU95500222	33.15	12	GU98620330	34.31	18
GU95500222	34.23	49	GU98620335	34.25	23
GU95500222	34.28	18	GU98620335	34.30	11
GU95500227	33.15	5	GU98620435	33.07	43
GU95512035	34.27	27	GU98620435	34.28	33
GU95520316	34.23	37	GU98620435	34.31	19
GU95770265	33.15	10	GU98620450	33.18	16
GU95770265	34.23	50	GU98620450	34.28	34
GU95780271	34.28	17	GU98620485	33.07	42
GU95980214	33.03	8	GU98620545	33.07	23
GU95980214	34.25	21	GU98620545	33.19	24
GU95980214	34.31	26	GU98622216	33.01	21
GU95990028	33.10	4	GU98622216	33.09	16
GU95990028	33.11	8	GU98622314	34.31	6
GU96451430	34.25	3	GU98622314	34.31	9
GU96451560	34.25	2	GU98622318	33.01	27
GU96506042	34.26	5	GU98622320	33.07	15
GU96508055	33.03	12	GU98622325	34.25	16
GU96508055	34.25	4	GU98622420	33.13	33
GU96508125	34.26	20	GU98622422	33.10	12
GU96510143	34.26	15	GU98622422	33.11	19
GU96510200	34.26	14	GU98622422	33.11	2
GU98052220	33.13	38	GU98622425	33.07	31
GU98052325	34.23	42	GU98622430	33.06	16
GU98052435	33.01	38	GU98622525	33.19	4
GU98052490	33.16	5	GU98622530	33.07	24
GU98052490	34.25	32	GU98622535	33.05	9
GU98052550	33.08	16	GU98812216	33.10	2
GU98052555	33.19	23	GU98822314	33.05	20
GU98052565	33.14	35	GU98822316	34.27	21
GU98054214	33.22	12	GU98822325	33.21	8
GU98054216	33.15	26	GU98822416	33.18	7
GU98054230	33.04	31	GU98832310	33.06	12
GU98054314	33.14	27	GU98832320	33.05	14
GU98054314	34.28	30	GU99105129	33.14	13
GU98054314	34.30	14	GU99200316	33.09	15
GU98054316	34.28	7	GU99210210	33.04	16
GU98054320	33.13	6			
GU98054320	33.18	23			
GU98054322	33.04	23			
GU98054322	33.14	38			
GU98054325	33.19	12			
GU98054330	33.15	17			
GU98054416	33.19	8			
GU98054418	33.03	30			
GU98054420	33.13	49			
GU98054522	33.29	17			
GU98054530	33.14	6			
GU98072555	33.07	3			
GU98110199	33.19	20			
GU98230845	33.13	2			
GU98260425	33.12	4			
GU98280410	33.12	13			
GU98290511	33.13	29			
GU98290512	33.01	24			
GU98290516	33.13	21			
GU98290520	33.04	7			

Assembly	FRAME
Code	33.01
Description	Battery
Revision	1



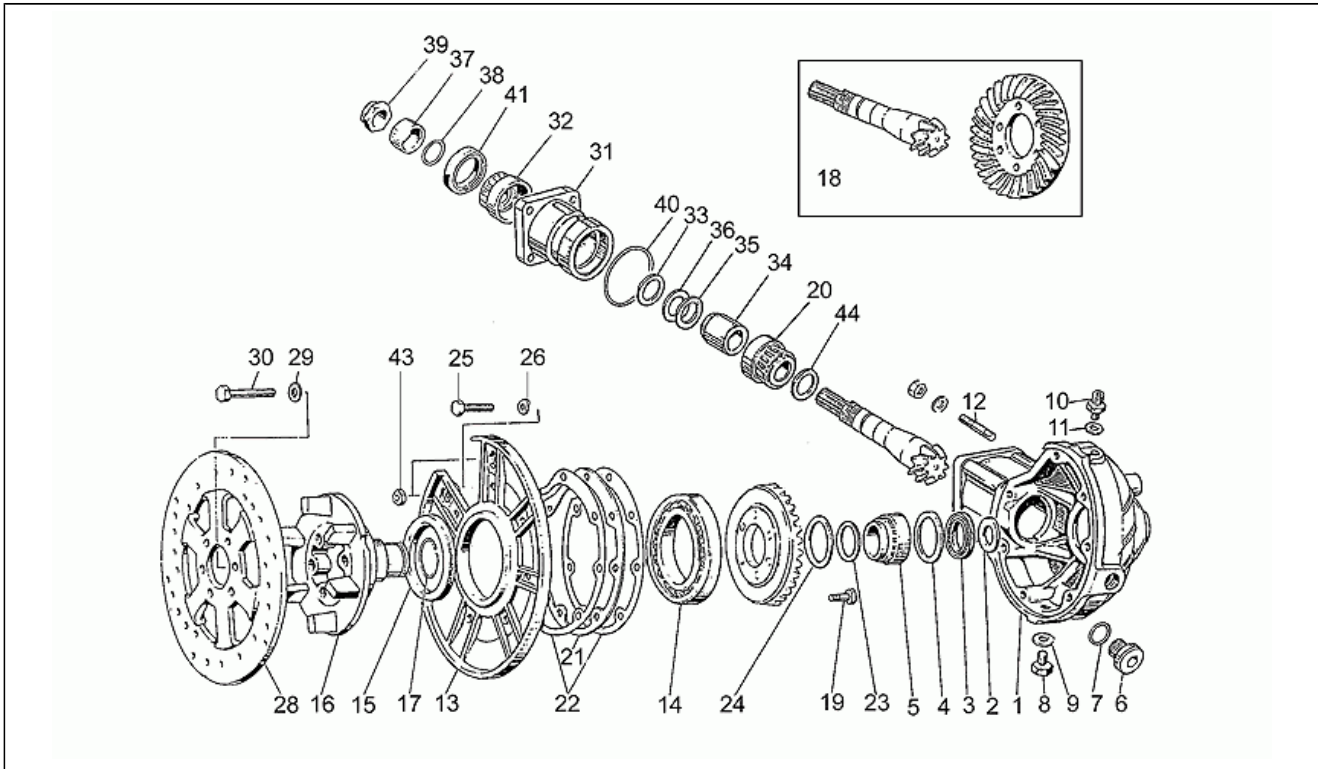
Pos.	Code	Description	Q.ty	Variants
35	GU19707100	Cap	2	
36	GU14609650	Hose clamp 3,6x20,6	20	
37	GU28712459	Screw	3	
38	GU98052435	Hex screw M8X35	2	
39	GU14717400	Sparkplug cap	2	
40	GU31717060	Spark plug NGK B8ES	2	
41	GU28712400	Generator SAPRISA	1	
42	GU19733350	Protection	1	
43	GU30730711	Starter motor Valeo	1	
44	GU14730570	Starter motor revision kit	1	
44	GU19730580	Starter motor revision kit	1	

Assembly	FRAME
Code	33.02
Description	Body
Revision	1



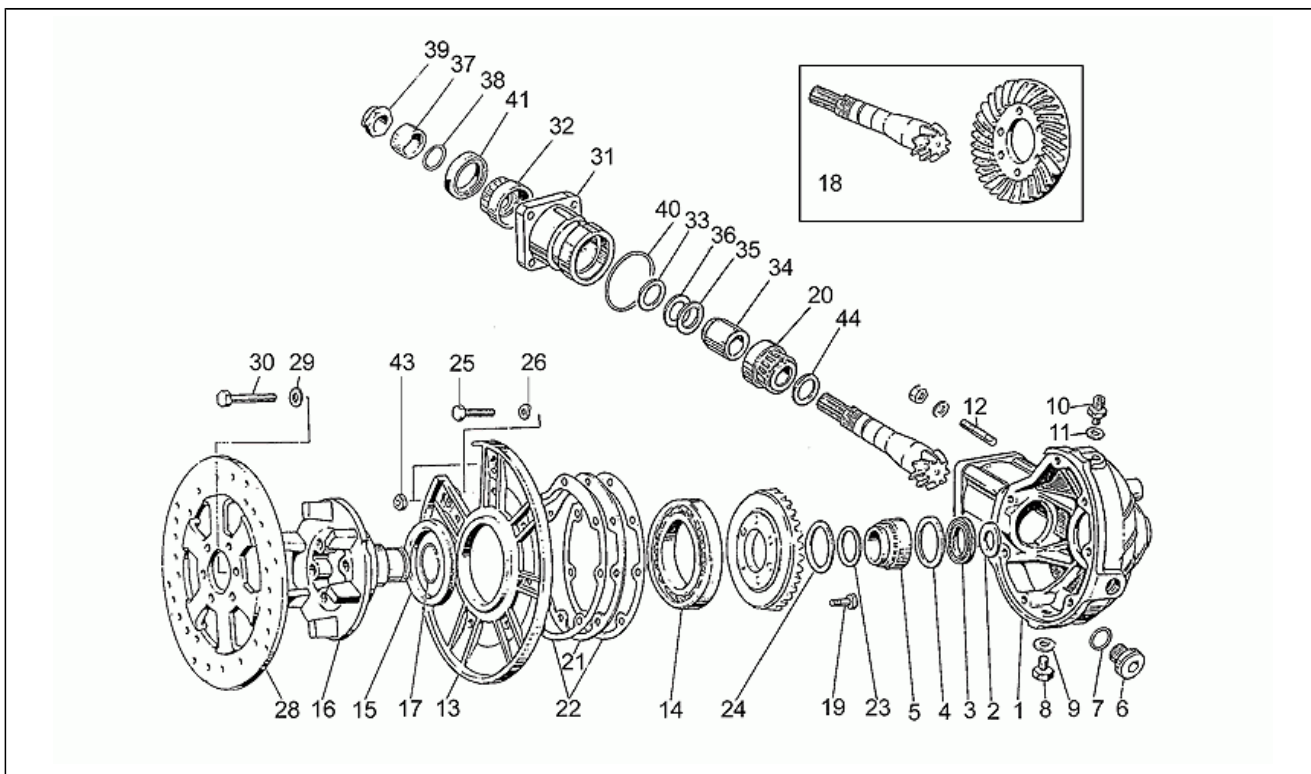
Pos.	Code	Description	Q.ty	Variants
1	GU231002301	Fuel tank	1	
2	GU62103920	Tank cap	1	
3	GU23105370	LH fuel cock	1	
4	GU23105470	RH fuel cock	1	
5	GU29106500	Fuel pipe	1	
6	GU61108400	Hose clamp	2	
7	GU61108500	Hose clamp D9	2	
8	GU19102750	Tie rod	1	
9	GU27460586	Saddle	1	
10	GU275703861	RH side panel	1	
11	GU275704861	LH side panel	1	
12	GU23923330	Decal set	1	
14	GU19912700	Shock abs. adj. Wrench	1	
15	GU28929940	Toolkit	1	

Assembly	FRAME
Code	33.03
Description	Bevel gear
Revision	1



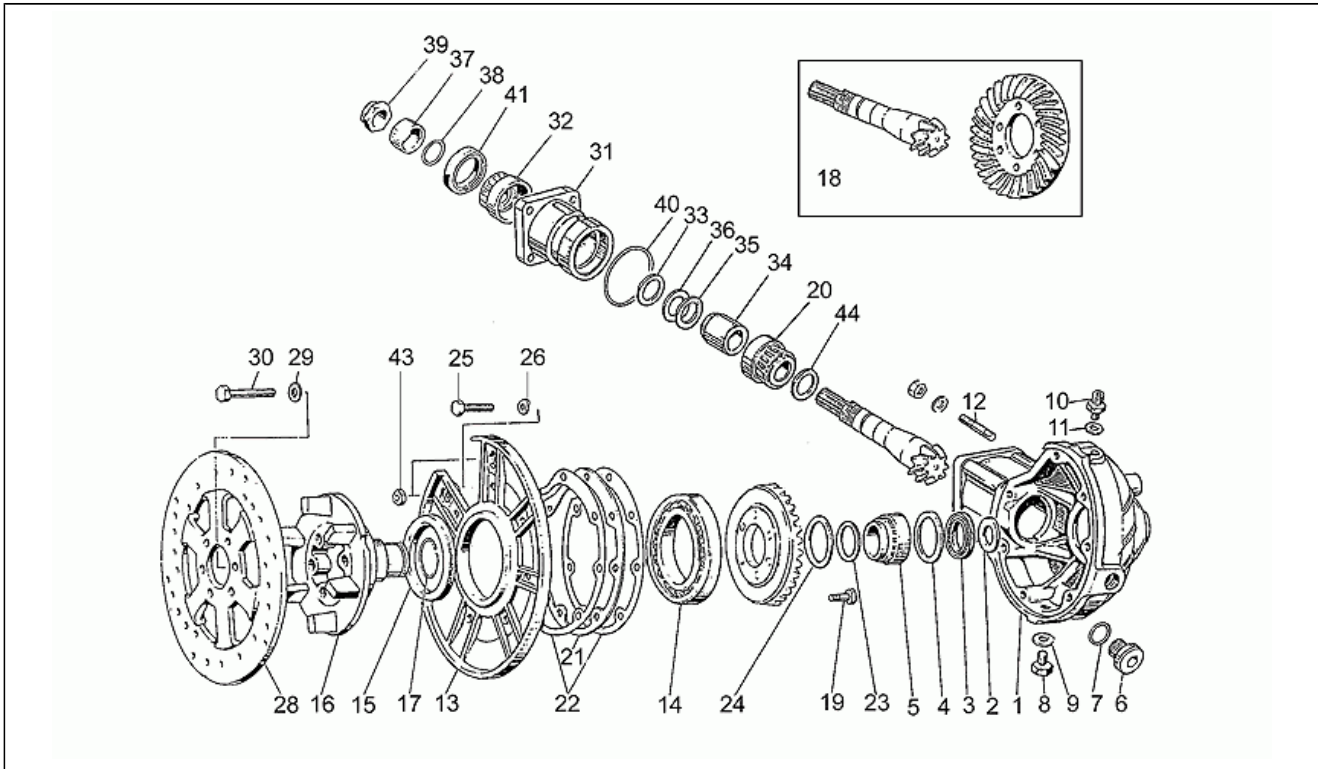
Pos.	Code	Description	Q.ty	Variants
1	GU31350380	Transmission housinggrey	1	
2	GU19351900	Clearance washer	1	
3	GU90403547	Gasket ring 35x47x7	1	
4	GU19351100	Clearance washer	1	
5	GU92252235	Roller bearing 35x50x17	1	
6	GU12022600	Oil plug	1	
7	GU90706203	O-ring 20,24x2,62	1	
8	GU95980214	Oil level plug	1	
9	GU10528900	Gasket	1	
10	GU19206501	Breather plug	1	
11	GU10528900	Gasket	1	
12	GU96508055	Stud bolt	4	
13	GU19350421	Cover	1	
14	GU92201070	Ball bearing 70x110x13	1	
15	GU90407590	Gasket ring 75x90x8	1	
16	GU19351401	Pin	1	
17	GU90353030	Stop ring	1	
18	GU20354621	Bevel gear Z=8/31	1	
19	GU19356320	Screw	6	
20	GU92249223	Tap.roller bearing	1	
21	GU19355400	Spacer 0,8 mm	1	
21	GU19355402	Spacer 0,9 mm	1	
21	GU19355404	Spacer 1 mm	1	
21	GU19355406	Spacer 1,1 mm	1	
21	GU19355408	Spacer 1,2 mm	1	
21	GU19355410	Spacer 1,3 mm	1	
21	GU19355411	Spacer 1,4 mm	1	
21	GU19355412	Spacer 1,5 mm	1	

Assembly	FRAME
Code	33.03
Description	Bevel gear
Revision	1



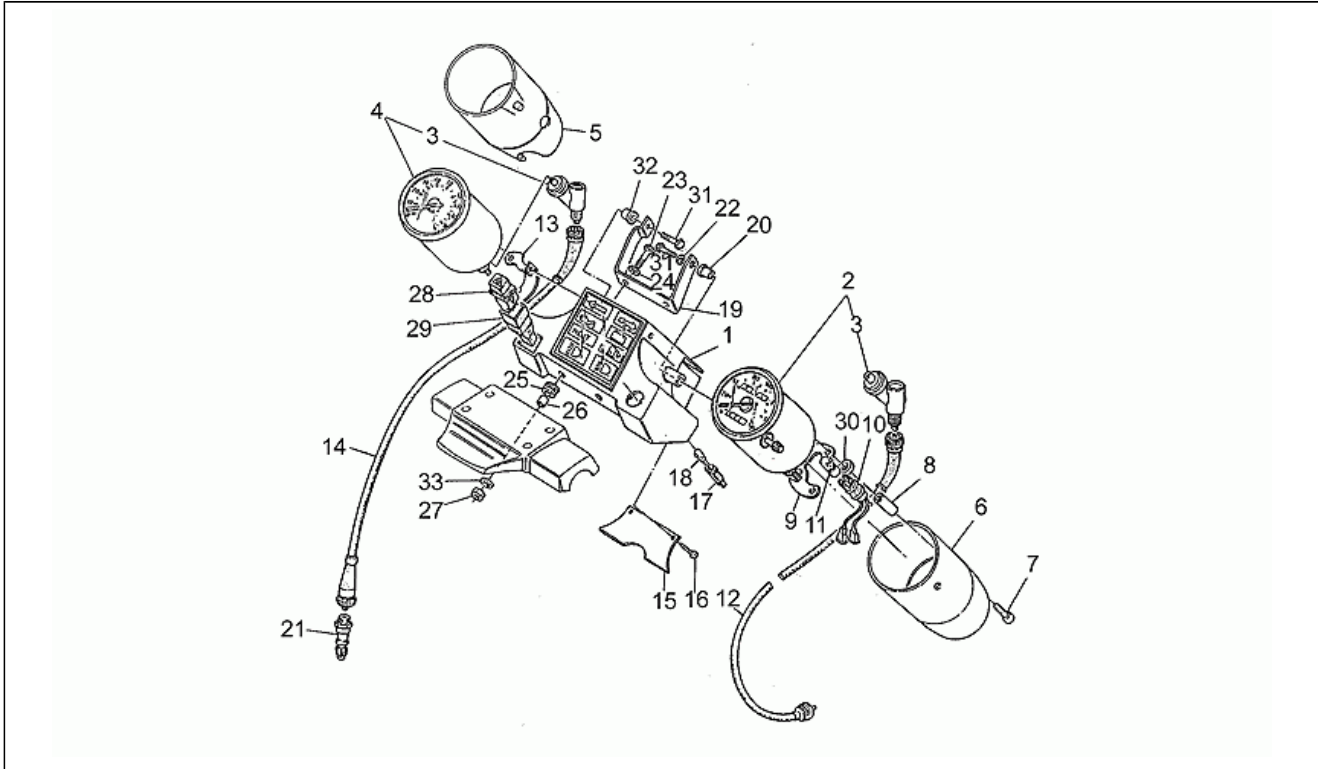
Pos.	Code	Description	Q.ty	Variants
21	GU19355413	Spacer 1,6 mm	1	
22	GU19350700	Gasket	2	
23	GU19352300	Thrust washer	1	
24	GU19353500	Thrust washer	1	
25	GU19357660	Screw M8X25	7	
26	GU61270300	Spring washer 8x15x0,3	7	
28	GU19635736	Rear brake disc	1	
29	GU14615901	Washer 8,4X13X0,8	6	
30	GU98054418	Screw	6	
31	GU19352401	Bearing casing	1	
32	GU92249220	Roller bearing 20x47x14	1	
33	GU19355300	Spacer 1 mm	4	
33	GU19355301	Spacer 1,1 mm	4	
33	GU19355302	Spacer 1,2 mm	4	
33	GU19355303	Spacer 1,3 mm	4	
33	GU19355304	Spacer 1,4 mm	4	
33	GU19355305	Spacer 1,5 mm	4	
33	GU19355306	Spacer 1,6 mm	4	
33	GU19355307	Spacer 1,7 mm	4	
33	GU19355308	Spacer 1,8 mm	4	
33	GU19355309	Spacer 1,9 mm	4	
34	GU19355121	Spacer	1	
35	GU19355200	Shim 0,1 mm	2	
36	GU19355202	Shim 0,15 mm	11	
37	GU19356801	Spacer	1	
38	GU90706188	Gasket ring 18,77X1,78	1	
39	GU19356700	Nut	1	
40	GU90706552	Gasket ring	1	

Assembly	FRAME
Code	33.03
Description	Bevel gear
Revision	1



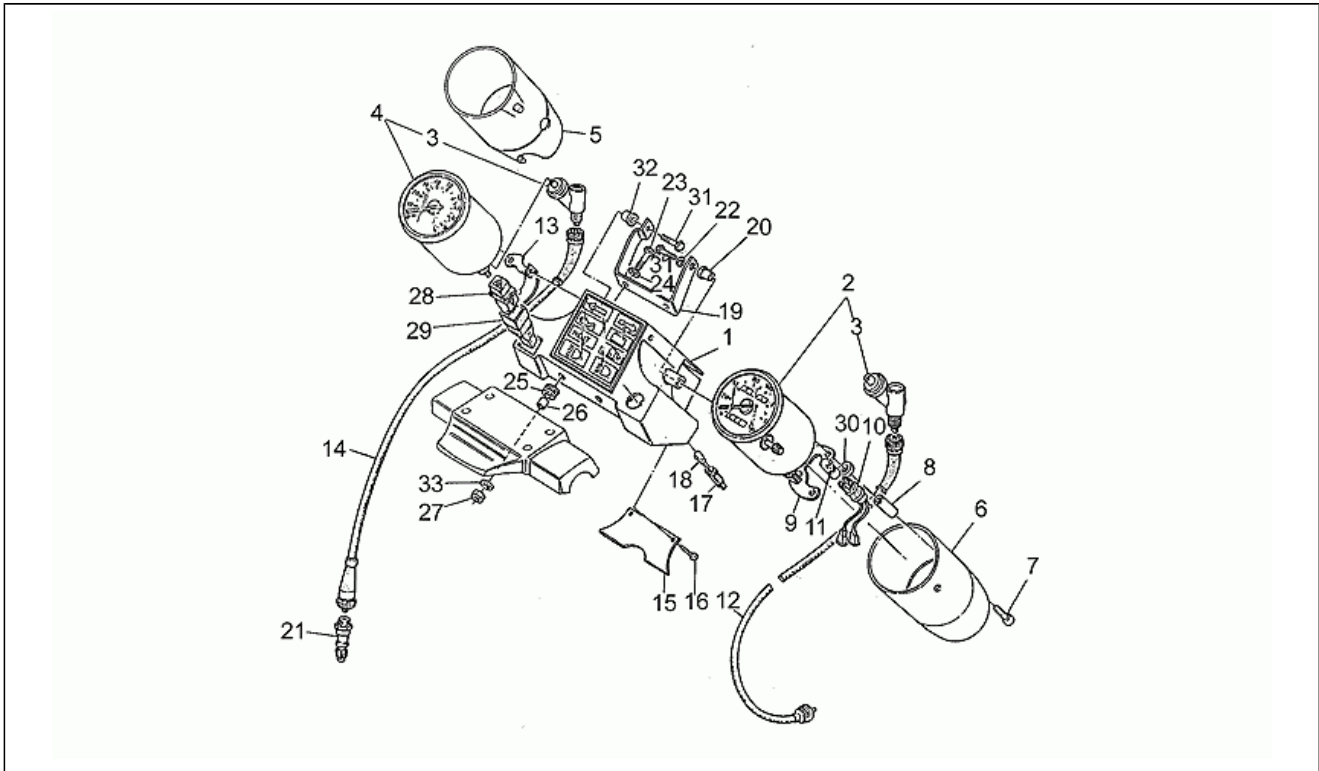
Pos.	Code	Description	Q.ty	Variants
41	GU90403247	Gasket ring	1	
43	GU92602208	Nut M8X1,25	2	
44	GU19355320	Spacer 1 mm	2	
44	GU19355321	Spacer 1,1 mm	2	
44	GU19355322	Spacer 1,2 mm	2	
44	GU19355323	Spacer 1,3 mm	2	
44	GU19355324	Spacer 1,4 mm	2	
44	GU19355325	Spacer 1,5 mm	2	
44	GU19355326	Spacer 1,6 mm	2	
44	GU19355327	Spacer 1,7 mm	2	
44	GU19355328	Spacer 1,8 mm	2	
44	GU19355329	Spacer 1,9 mm	2	

Assembly	FRAME
Code	33.04
Description	Instrument panel
Revision	1



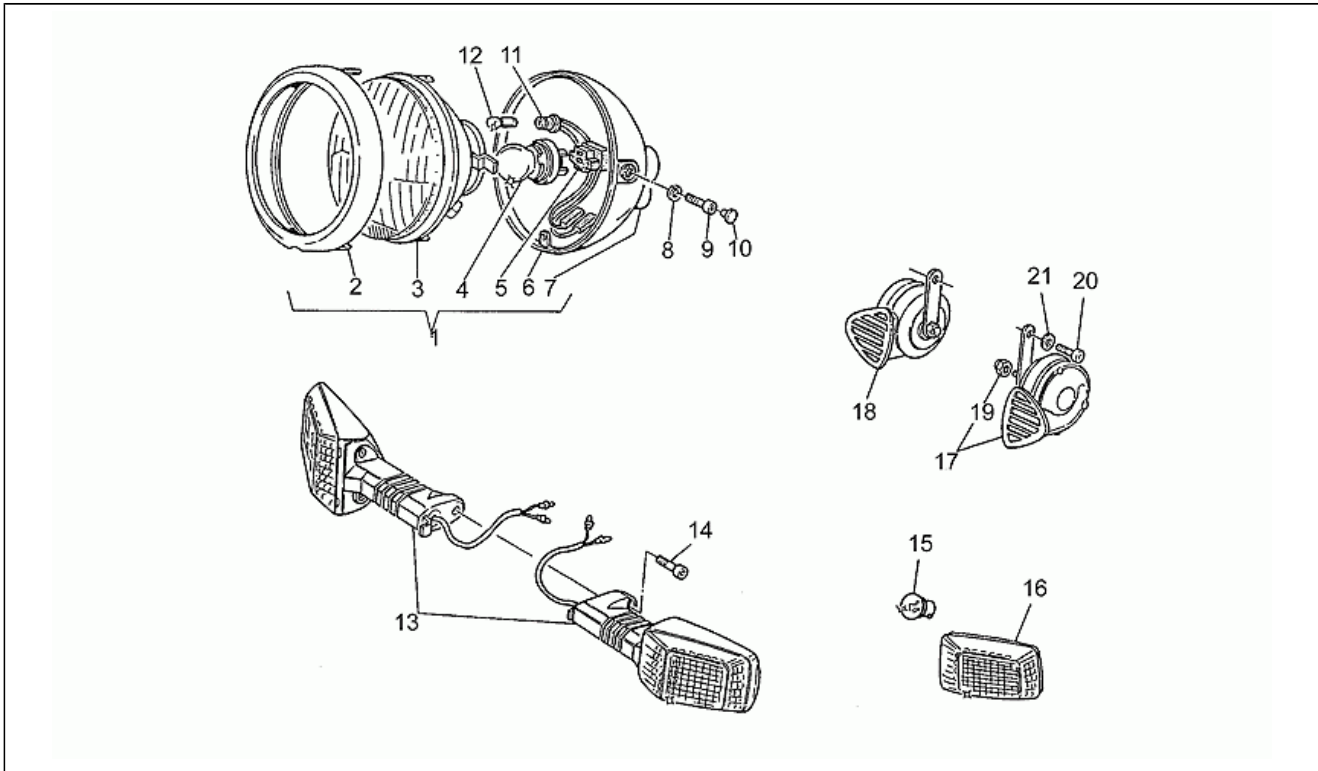
Pos.	Code	Description	Q.ty	Variants
1	GU23760010	Dashboard box assy.	1	
2	GU23761570	Speedometer	1	
3	GU23768310	Gear 60°	2	
4	GU23767270	Tachometer	1	
5	GU23761910	Rev counter container	1	
6	GU23762010	Speedometer container	1	
7	GU98290520	Screw	2	
8	GU23765110	Spacer	2	
9	GU23764910	Plate	1	
10	GU14768650	Lampholder	2	
11	GU93450120	Lamp 12v-3w	2	
12	GU27760410	Speedometer transmission	1	
13	GU23766510	Plate	1	
14	GU23768110	Rev counter transmission	1	
15	GU29765250	Lower cover	1	
16	GU99210210	Self-tap screw	2	
17	GU19768680	Lampholder	8	
18	GU93450140	Lamp 12V-1,2W	8	
19	GU23764110	U-bolt	1	
20	GU23766911	Spacer	1	
21	GU14769200	Gear Z=14	1	
22	GU95004205	Washer	2	
23	GU98054322	Hex screw M6X22	2	
24	GU95008206	Washer 6,15x11x0,8	4	
25	GU91551085	Rubber spacer	2	
26	GU91180607	Spacer	2	
27	GU92630106	Nut M6x1	2	
28	GU28745761	Turn indicator switch	1	

Assembly	FRAME
Code	33.04
Description	Instrument panel
Revision	1



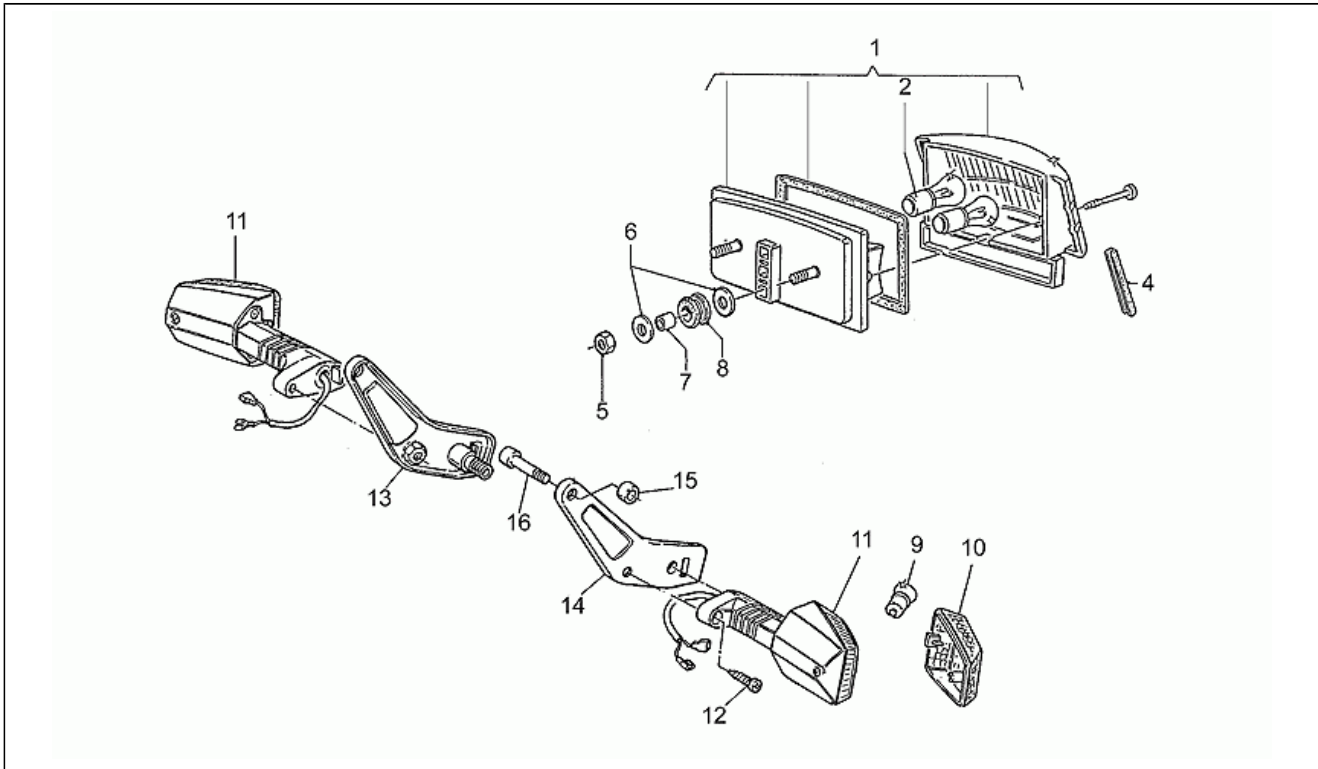
Pos.	Code	Description	Q.ty	Variants
29	GU35755780	Rubber protection	1	
30	GU93110060	Rubber spacer	4	
31	GU98054230	Screw	2	
32	GU23766910	Spacer	1	
33	GU61013800	Special washer	2	

Assembly	FRAME
Code	33.05
Description	Headlight
Revision	1



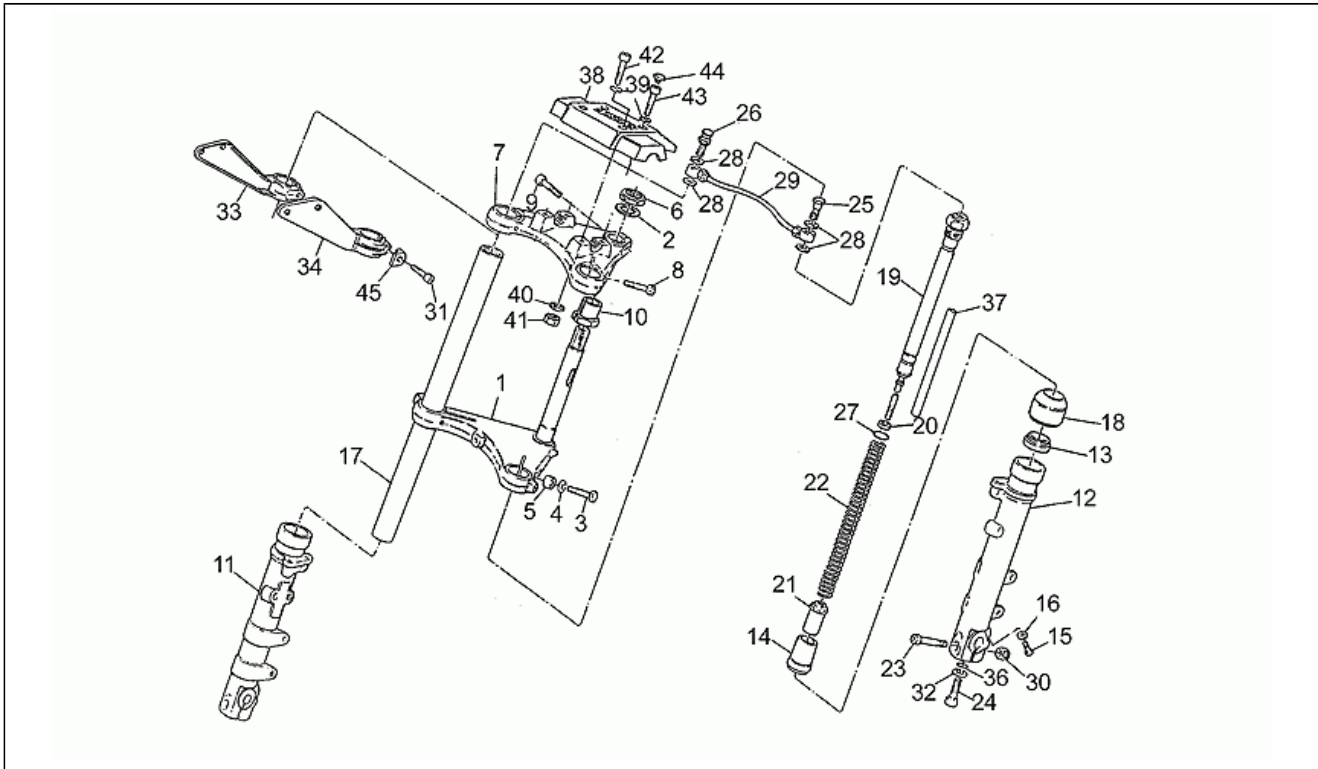
Pos.	Code	Description	Q.ty	Variants
1	GU28740533	Headlight	1	
2	GU19740454	Light frame	1	
3	GU18740435	Optical group	1	
4	GU93450232	Lamp 12V-55/60W	1	
5	GU14756255	Lampholder	1	
6	GU23740418	Headlight body	1	
7	GU19740404	Rear cap plug	1	
8	GU95004210	Washer 10,2x18x2	2	
9	GU98622535	Screw	2	
10	GU23943510	Plug	2	
11	GU17740405	Lampholder	1	
12	GU93450119	Lamp 12V-4W	1	
13	GU23750670	Turn indicator	2	
14	GU98832320	Screw	2	
15	GU93450127	Lamp 12V-10W	2	
16	GU23753710	Turn indicator lens	2	
17	GU29743752	Horn	1	
18	GU29743753	Horn	1	
19	GU92602206	Nut	2	
20	GU98822314	Screw	2	
21	GU95021106	Notched washer	2	

Assembly	FRAME
Code	33.06
Description	Taillight
Revision	1



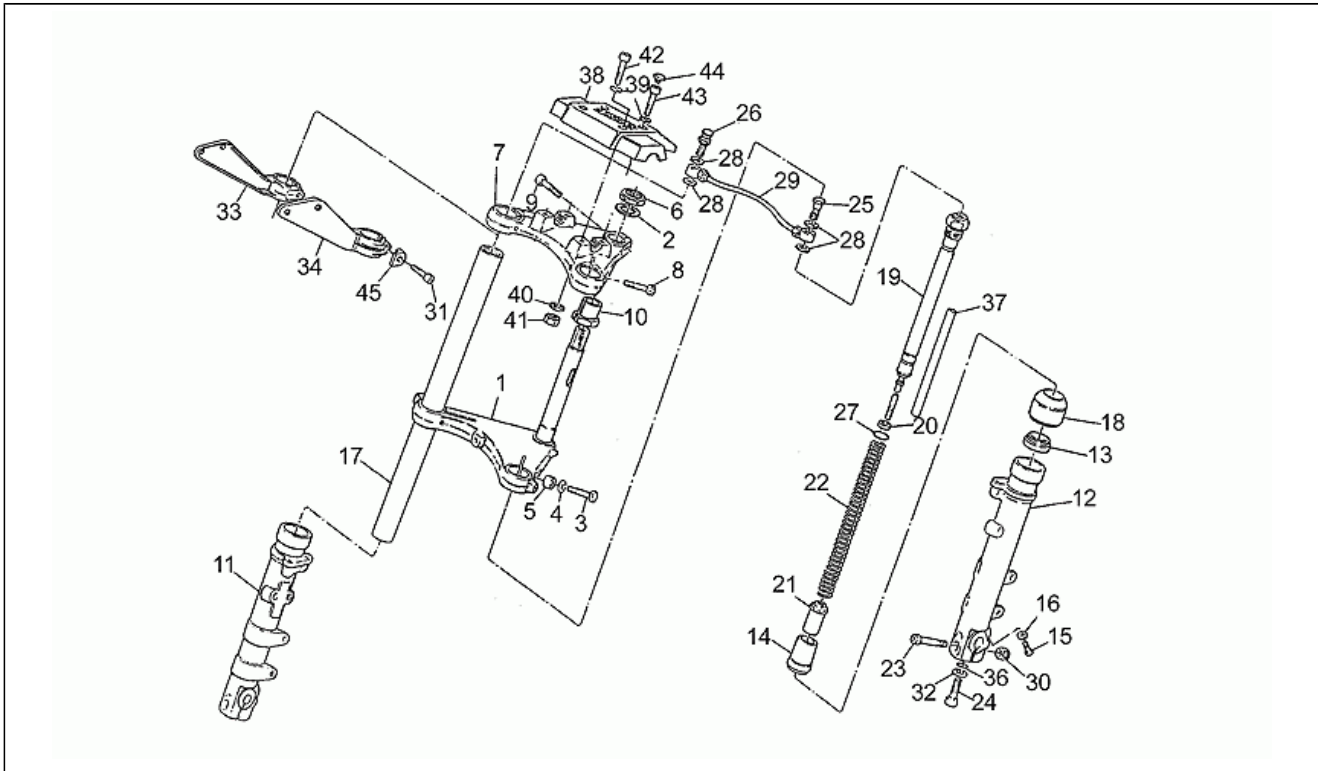
Pos.	Code	Description	Q.ty	Variants
1	GU27740985	Taillight	1	
2	GU93450224	Lamp 12V/5-21W	2	
4	GU28439800	Gasket	2	
5	GU92630206	Nut M6x1	2	
6	GU95100118	Washer 6,2X18X1	4	
7	GU91180607	Spacer	2	
8	GU91551085	Rubber spacer	2	
9	GU93450127	Lamp 12V-10W	2	
10	GU23753710	Turn indicator lens	2	
11	GU23750670	Turn indicator	2	
12	GU98832310	Screw	2	
13	GU23468230	RH plate	1	
14	GU23468430	LH plate	1	
15	GU91180913	Spacer	2	
16	GU98622430	Screw M8X30	2	

Assembly	FRAME
Code	33.07
Description	Front fork
Revision	1



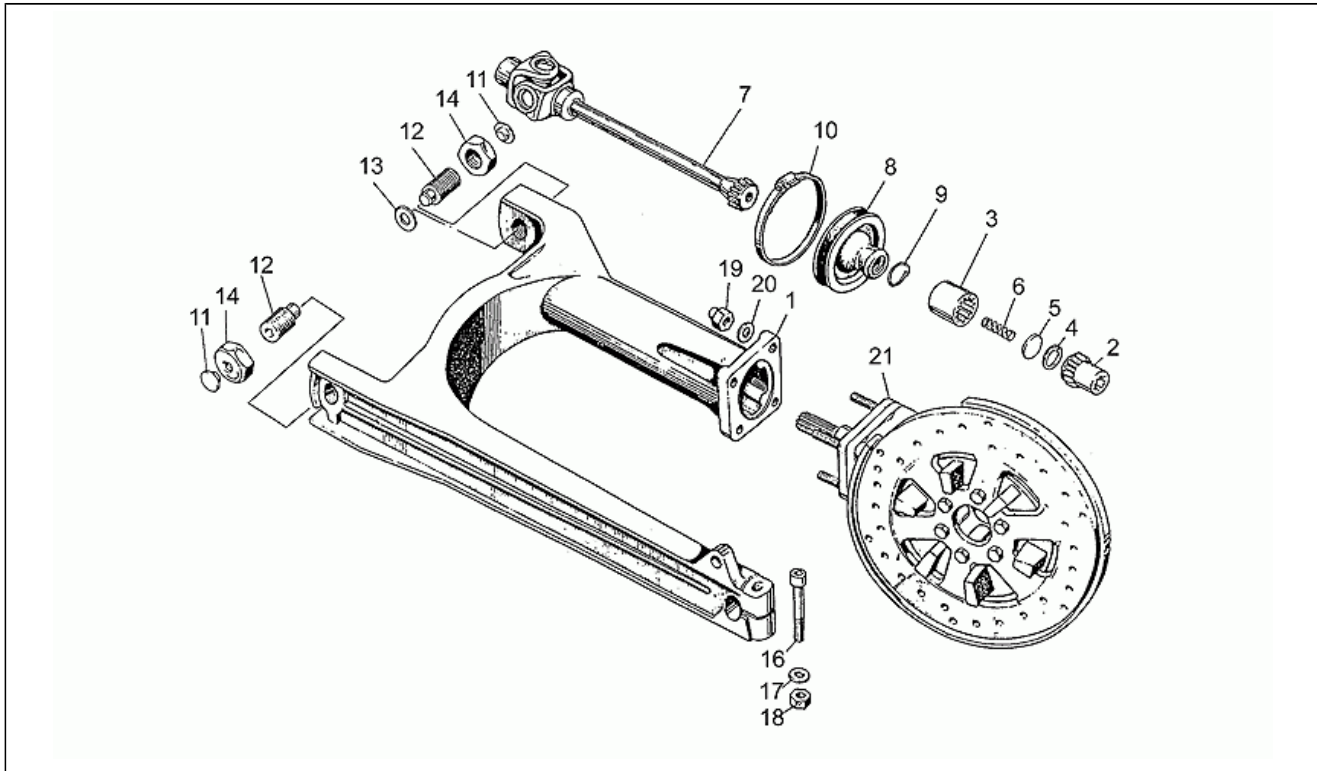
Pos.	Code	Description	Q.ty	Variants
1	GU23494040	Lower plate	1	
2	GU18513560	Stem plug washer	1	
3	GU98072555	Hex screw M10X55	2	
4	GU95007210	Washer	2	
5	GU91181016	Spacer	2	
6	GU18513460	Plug	1	
7	GU23493140	Fork upper plate	1	
8	GU98610540	Screw	2	
9	GU98612535	Screw	1	
10	GU18516660	Steering lock bush	1	
11	GU23522540	RH sleeve	1	
12	GU23522640	LH sleeve	1	
13	GU90403857	Oil seal	2	
14	GU20527620	Bush	2	
15	GU98622320	Screw	2	
16	GU95100116	Washer 6,25x10x1,5	4	
17	GU23525440	Sleeve	2	
18	GU28524500	Dust cover	2	
19	GU27526485	Rear shock absorber	2	
20	GU92602308	Nut	2	
21	GU28527540	End stop	2	
22	GU27526685	Spring	2	
23	GU98620545	Screw	2	
24	GU98622530	Screw	2	
25	GU28556450	Bored screw	1	
26	GU28556250	Air valve	1	
27	GU90706282	Gasket ring	2	
28	GU28556350	Copper washer	4	

Assembly	FRAME
Code	33.07
Description	Front fork
Revision	1



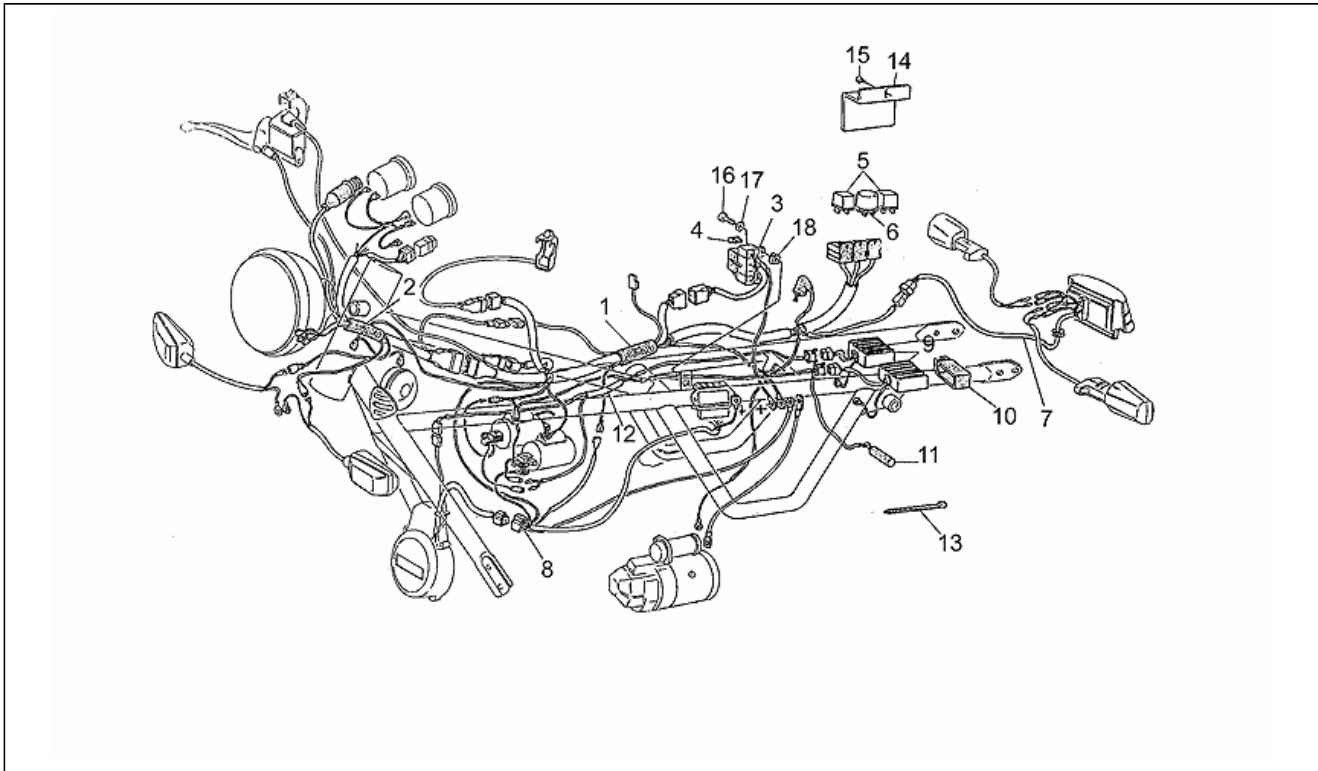
Pos.	Code	Description	Q.ty	Variants
29	GU28529641	Pipe	1	
30	GU92781100	Nut	2	
31	GU98622425	Hex socket screw M8X25	4	
32	GU27499120	Flat washer	2	
33	GU23496170	RH support	1	
34	GU23496270	LH support	1	
36	GU90706094	O-ring 9x2	2	
37	GU27526320	Anti-rubbar pipe	2	
38	GU28500233	Handlebar fixing plate	2	
39	GU14615901	Washer 8,4X13X0,8	2	
40	GU95000208	Washer	2	
41	GU92630508	Nut	2	
42	GU98620485	Screw	2	
43	GU98620435	Screw M8X35	2	
44	GU23943410	Plug	2	
45	GU23497910	Spacer	1	

Assembly	FRAME
Code	33.08
Description	Swing arm-rear wh., alloy
Revision	1



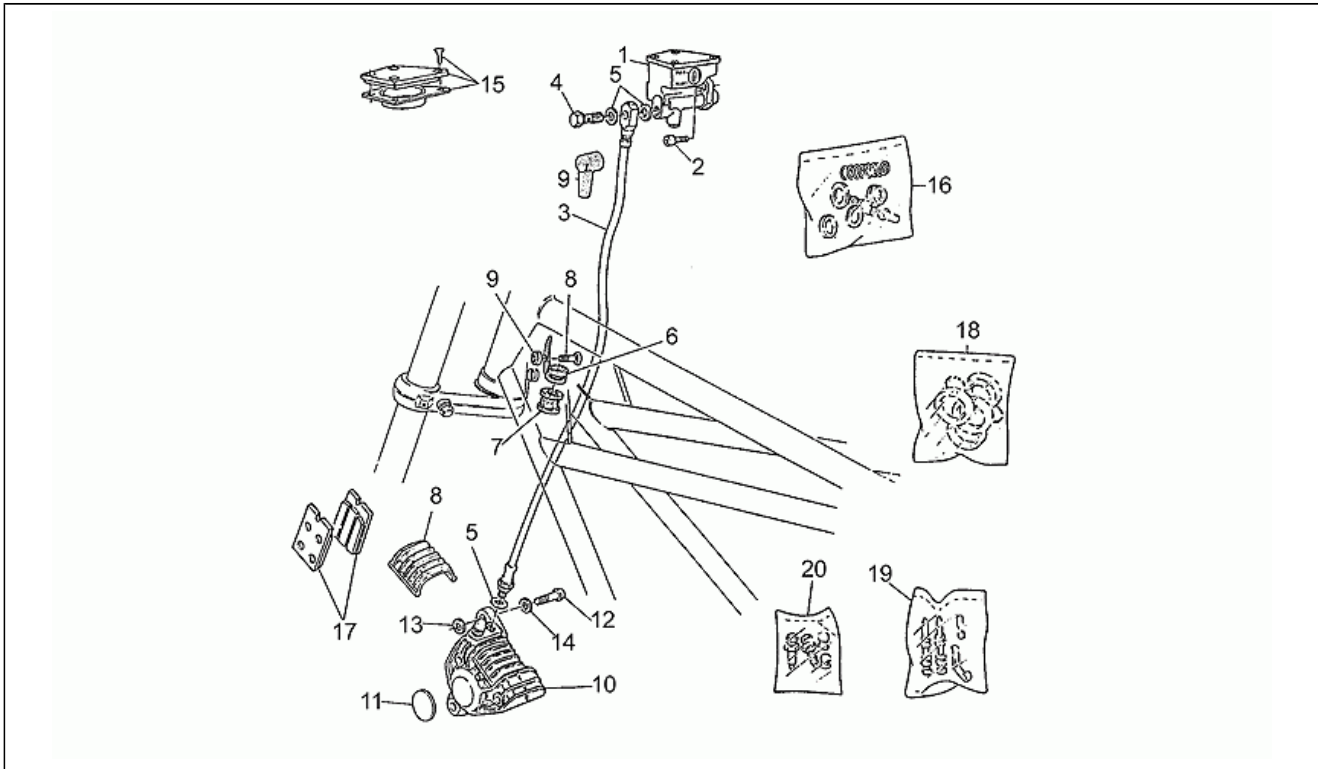
Pos.	Code	Description	Q.ty	Variants
1	GU19540261	Swing arm	1	Technical Specifications: First series[1A]
1	GU19540261	Swing arm	1	Technical Specifications: See technical comm.n.286 of 1995[28695C], Second series[2A]
2	GU19327701	Hose	1	
3	GU19328801	Hose	1	
4	GU90272023	Circlip	1	
5	GU19327601	Disc	1	
6	GU94321099	Spring	1	
7	GU19328061	Coupling	1	Technical Specifications: First series[1A]
7	GU23328081	Coupling	1	Technical Specifications: See technical comm.n.286 of 1995[28695C], Second series[2A]
8	GU19548001	Protection collar	1	Technical Specifications: First series[1A]
8	GU23548080	Protection collar	1	Technical Specifications: See technical comm.n.286 of 1995[28695C], Second series[2A]
9	GU19548101	Spring	1	Technical Specifications: First series[1A]
9	GU23548180	Spring	1	Technical Specifications: See technical comm.n.286 of 1995[28695C], Second series[2A]
10	GU93305074	Hose clamp	1	
11	GU93180105	Plug	2	
12	GU19547000	Pin	2	
13	GU35214300	Spacer	1	
14	GU14547800	Nut	2	
16	GU98052550	Screw	1	
17	GU95004210	Washer 10,2x18x2	1	
18	GU92602210	Nut	1	
19	GU92781081	Nut	4	
20	GU14615901	Washer 8,4X13X0,8	4	
21	GU20350220	Transmission box assy., grey	1	

Assembly	FRAME
Code	33.09
Description	Electrical system
Revision	1



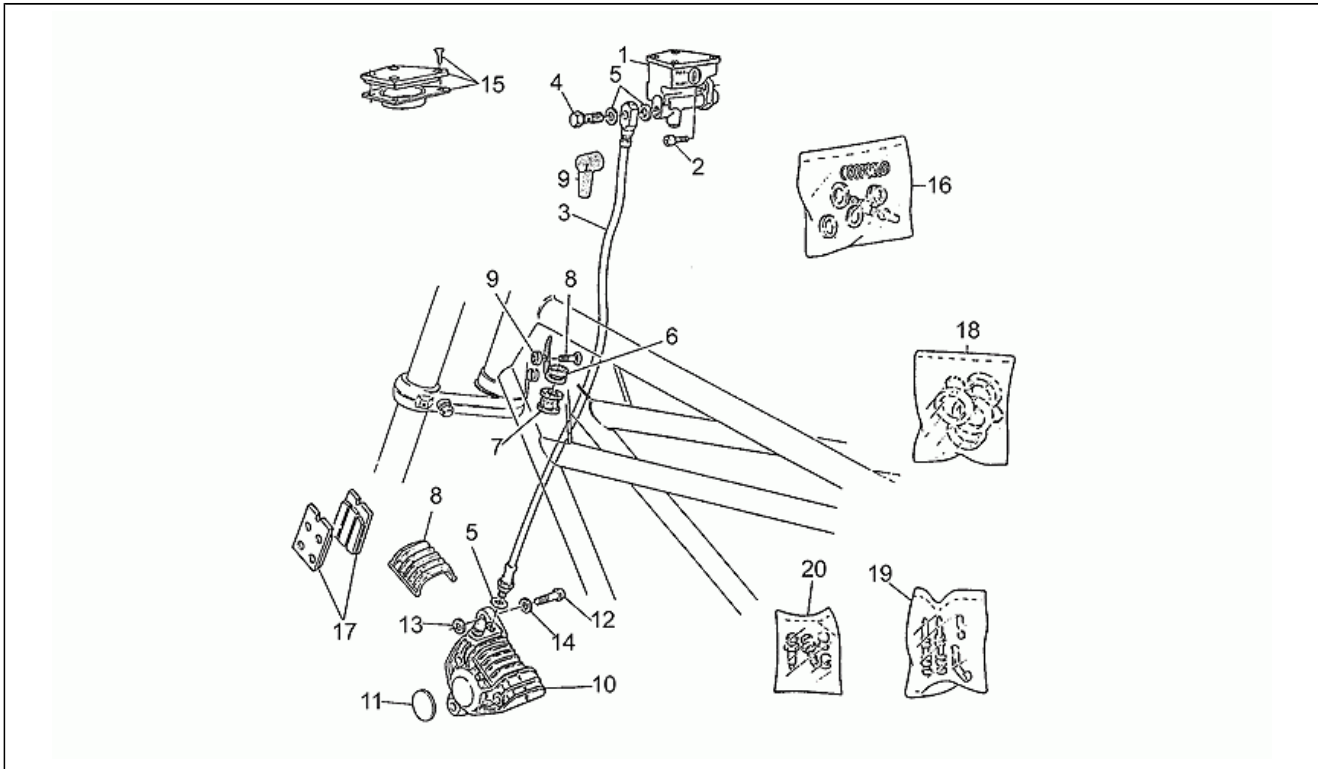
Pos.	Code	Description	Q.ty	Variants
1	GU23747130	Electrical system	1	
2	GU23747211	Dashboard cable	1	
3	GU30743000	Fuse holder box	1	
4	GU28742560	Fuse 15A	6	
5	GU28732560	Siren relay	2	
6	GU17750520	Flasher unit	1	
7	GU23747330	Taillight wiring harn.	1	
8	GU27725820	Alternator-regulator wiring	1	
9	GU23721494	Electronic control unit	2	
10	GU27723835	Flexible support	2	
11	GU27710435	Capacitor	1	
12	GU31722140	H.T. wiring	1	
13	GU14609650	Hose clamp 3,6x20,6	1	
13	GU61609630	Hose clamp	1	
14	GU23734230	Cover	1	
15	GU99200316	Self-tap screw	1	
16	GU98622216	Screw	2	
17	GU95100059	Washer 5,25x14x1,5	2	
18	GU92660501	Captive nut	1	

Assembly	FRAME
Code	33.10
Description	RH Front brake system
Revision	1



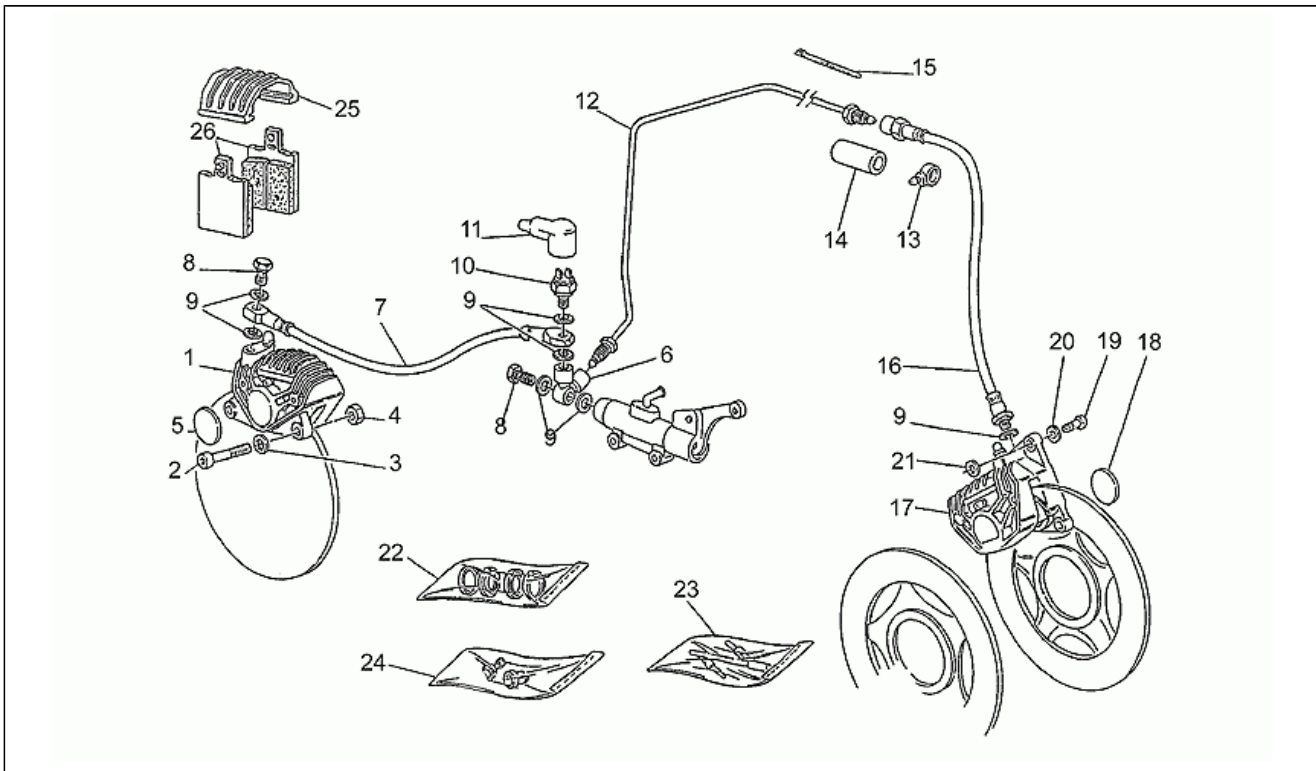
Pos.	Code	Description	Q.ty	Variants
1	GU29660250	Front master cilinder	1	
2	GU98812216	Screw	2	
3	GU23657110	Front brake line	1	
4	GU95990028	Oil pipe screw *	1	
5	GU25656100	Gasket	3	
6	GU17658360	Hose clamp	1	
7	GU17658260	Ring	1	
8	GU31654765	Brake caliper cover GRIMECA	1	Technical Specifications: See technical comm.n.298 of 1995[29895C]
8	GU39654700	Brake caliper cover BREMBO	1	
9	GU39663801	Cap	1	
10	GU31652365	LH front brake caliper Grimeca	1	Technical Specifications: See technical comm.n.298 of 1995[29895C]
11	GU19652700	Brake caliper decal	1	
12	GU98622422	Screw	2	
13	GU95100250	Washer 8,5X18X0,5	4	
13	GU95100251	Washer 8,5X18X0,8	4	
14	GU61270300	Spring washer 8x15x0,3	2	
15	GU23661110	Cover	1	
16	GU23659310	Brake mast.cyl rev. kit	1	
17	GU27654610	Pads pair BREMBO	1	
17	GU31654665	Pads pair GRIMECA	1	Technical Specifications: See technical comm.n.298 of 1995[29895C]
18	GU39659000	Brake caliper rev. kit BREMBO	1	
18	GU66659031	Brake caliper rev. kit GRIMECA	1	Technical Specifications: See technical comm.n.298 of 1995[29895C]
19	GU31659165	Pins+spring GRIMECA	2	Technical Specifications: See technical comm.n.298 of 1995[29895C]
19	GU39659100	Pins+spring BREMBO	1	

Assembly	FRAME
Code	33.10
Description	RH Front brake system
Revision	1



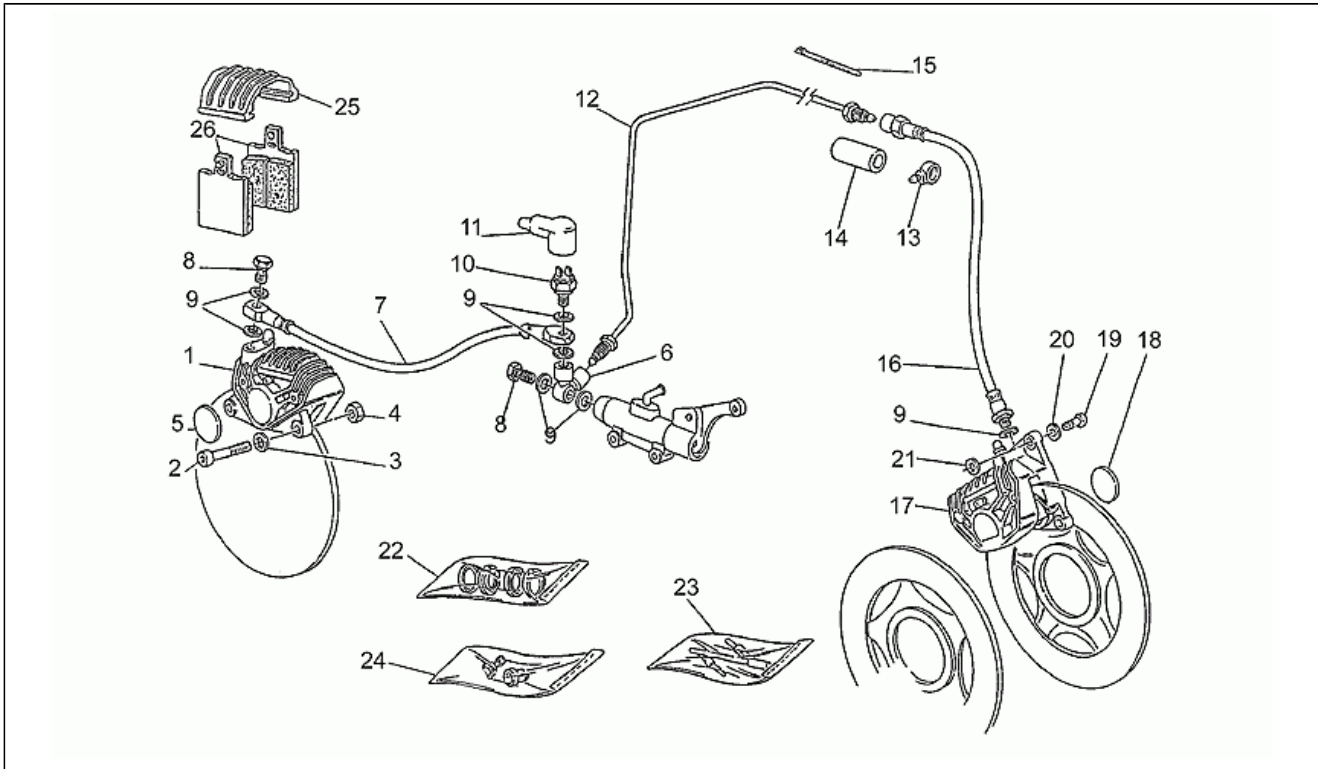
Pos.	Code	Description	Q.ty	Variants
20	GU31659265	Bleeder+cap GRIMECA	1	Technical Specifications: See technical comm.n.298 of 1995[29895C]
20	GU65659200	Bleeder+cap BREMBO D.6	1	

Assembly	FRAME
Code	33.11
Description	Front LH/rear brake system
Revision	1



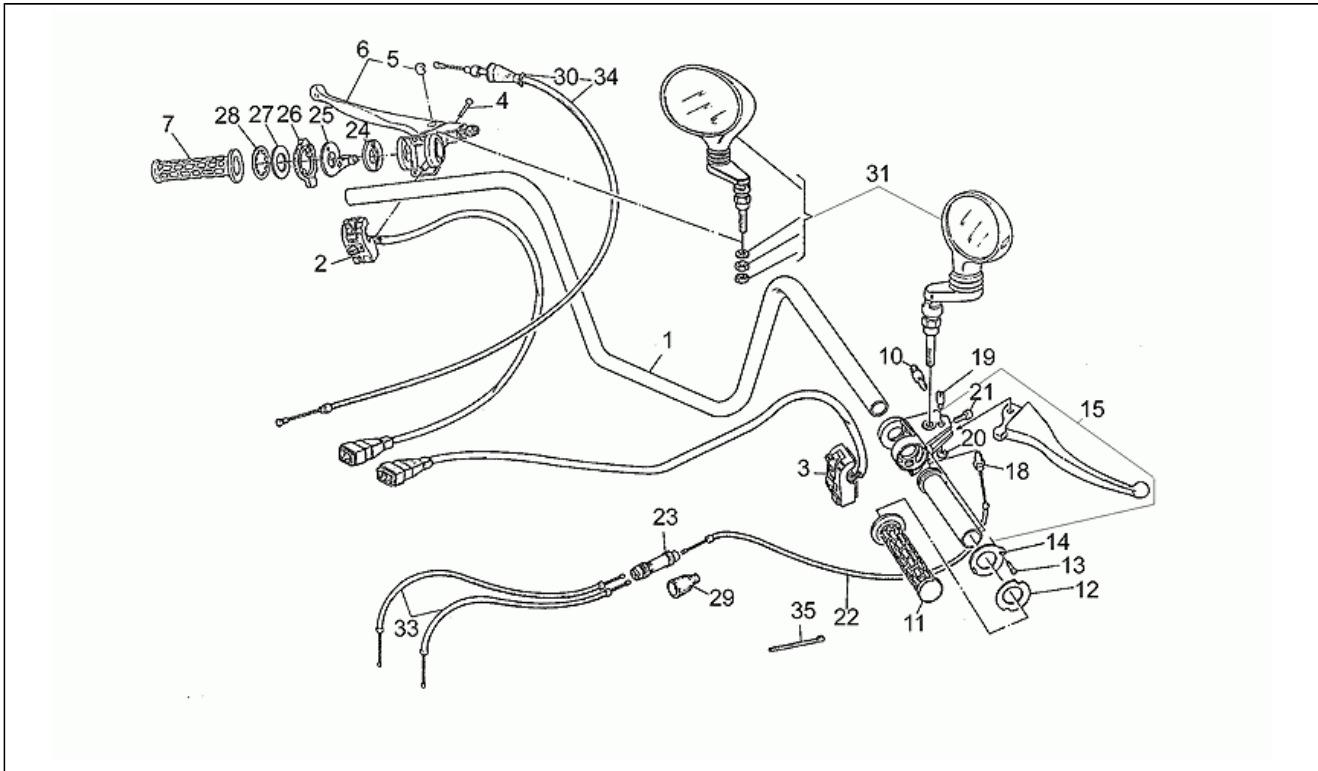
Pos.	Code	Description	Q.ty	Variants
1	GU23653011	Rear brake caliper	1	
2	GU98622422	Screw	2	
3	GU61270300	Spring washer 8x15x0,3	2	
4	GU92602208	Nut M8X1,25	2	
5	GU19654900	Rear brake cal. decal	1	
6	GU19668000	Connection	1	
7	GU19658660	Brake hose	1	
8	GU95990028	Oil pipe screw *	2	
9	GU25656100	Gasket	7	
10	GU14657050	Brake light switch	1	
11	GU12735100	Cap	1	
12	GU27658720	Pipe	1	
13	GU19436500	Eyelet	1	
14	GU17573860	Protection	1	
15	GU14609650	Hose clamp 3,6x20,6	3	
16	GU27658885	Brake fluid line	1	
17	GU31652265	RH front brake caliper Grimeca	1	
18	GU19652700	Brake caliper decal	1	
19	GU98622422	Screw	2	
20	GU61270300	Spring washer 8x15x0,3	2	
21	GU95100250	Washer 8,5X18X0,5	4	
21	GU95100251	Washer 8,5X18X0,8	4	
22	GU39659000	Brake caliper rev. kit BREMBO	2	
22	GU66659031	Brake caliper rev. kit GRIMECA	1	Technical Specifications: See technical comm.n.298 of 1995[29895C]
23	GU31659165	Pins+spring GRIMECA	2	Technical Specifications: See technical comm.n.298 of 1995[29895C]
23	GU39659100	Pins+spring BREMBO	2	

Assembly	FRAME
Code	33.11
Description	Front LH/rear brake system
Revision	1



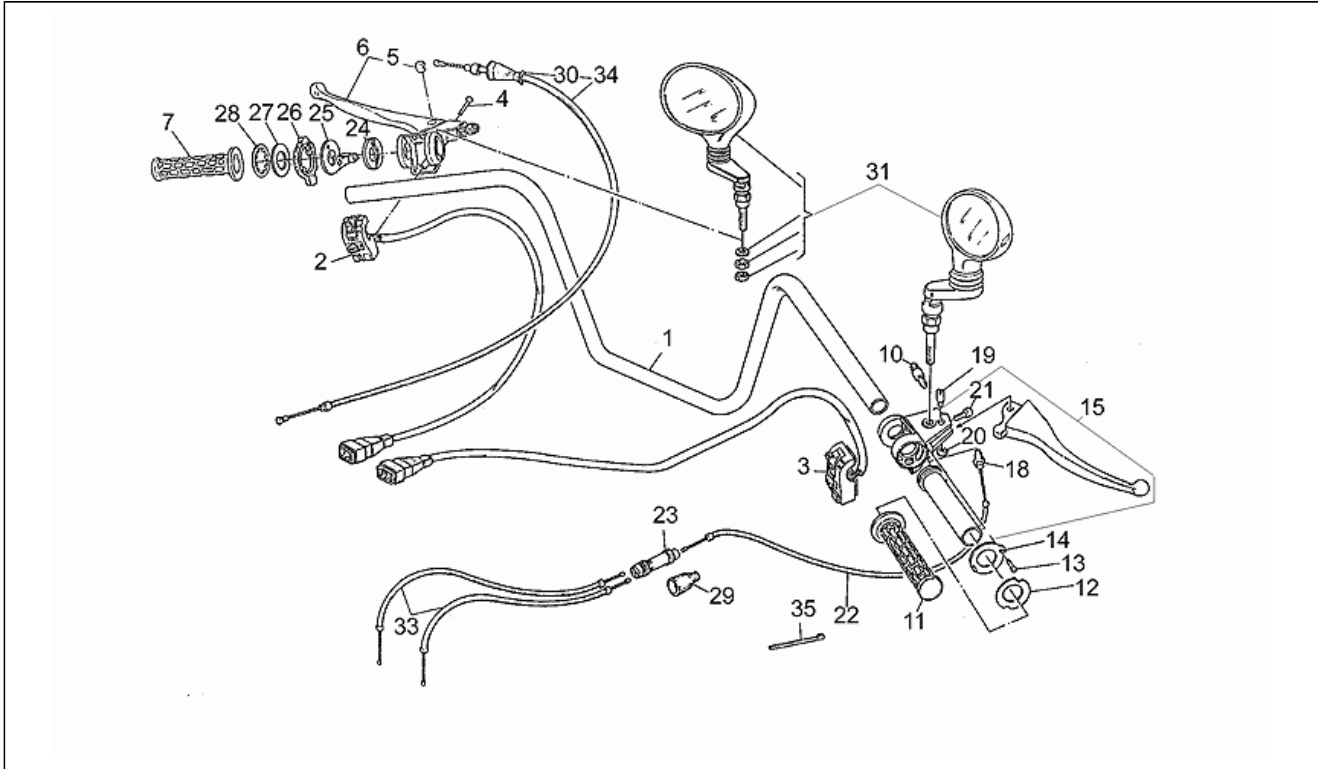
Pos.	Code	Description	Q.ty	Variants
24	GU31659265	Bleeder+cap GRIMECA	1	Technical Specifications: See technical comm.n.298 of 1995[29895C]
24	GU65659200	Bleeder+cap BREMBO D.6	2	
25	GU31654765	Brake caliper cover GRIMECA	1	Technical Specifications: See technical comm.n.298 of 1995[29895C]
25	GU39654700	Brake caliper cover BREMBO	2	
26	GU27654610	Pads pair BREMBO	1	
26	GU31654665	Pads pair GRIMECA	1	Technical Specifications: See technical comm.n.298 of 1995[29895C]

Assembly	FRAME
Code	33.12
Description	Handlebar - Controls
Revision	1



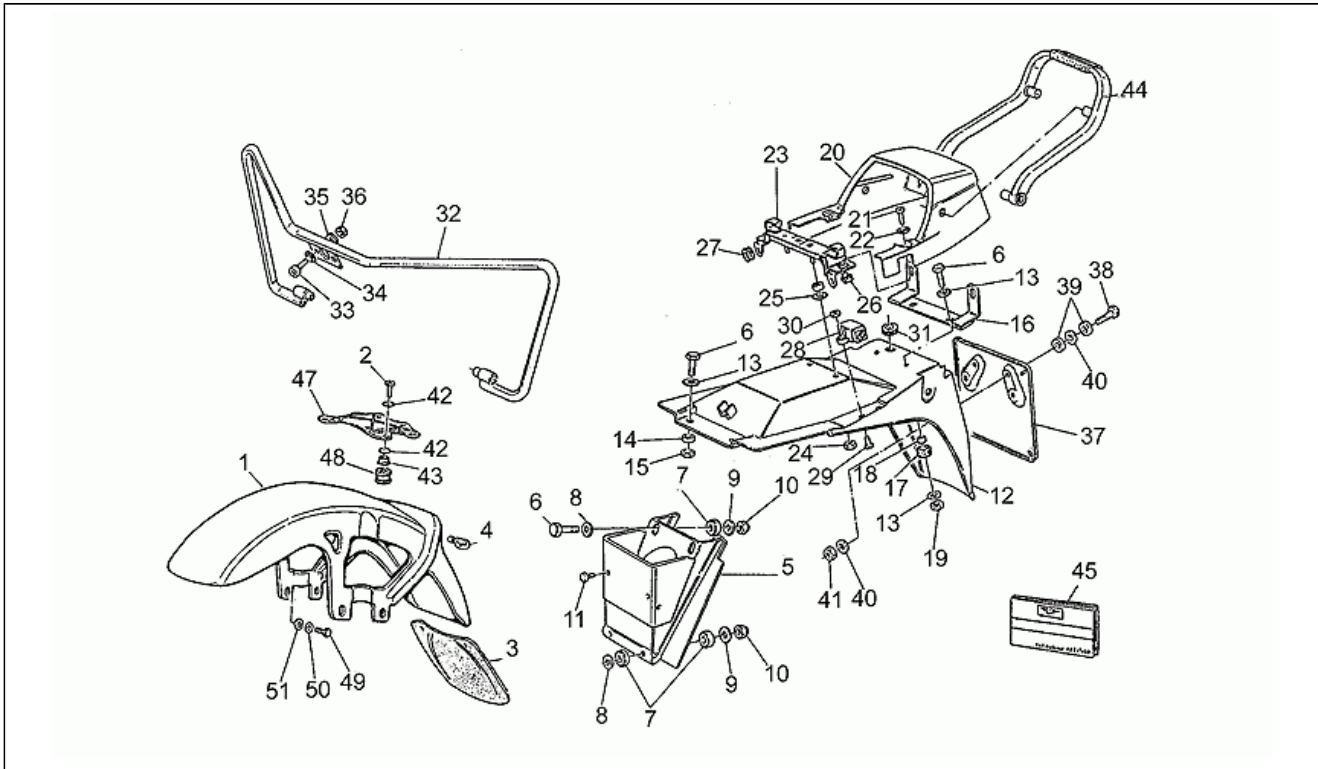
Pos.	Code	Description	Q.ty	Variants
1	GU28600334	Handlebar	1	
2	GU23738070	LH lights selector	1	
3	GU23750370	RH lights selector	1	
4	GU98260425	Screw	2	
5	GU29608750	Bush	1	
6	GU29605550	Clutch lever	1	
7	GU29603050	LH hand grip	1	
10	GU39741101	Brake light switch	1	
11	GU29603550	RH hand grip	1	
12	GU29604650	Nylon washer	1	
13	GU98280410	Screw	1	
14	GU29603650	Side cover	1	
15	GU29999250	Throttle cable assy	1	
18	GU29603750	Cable-guide	1	
19	GU29604850	Screw	1	
20	GU92601206	Nut	1	
21	GU98612316	Hex socket screw M6x16	1	
22	GU23117570	Throttle cable	1	
23	GU30607910	Splitter	1	
24	GU29132050	Ring	1	
25	GU29133250	Choke control	1	
26	GU29132350	Starter lever	1	
27	GU29132650	Washer	1	
28	GU17751100	Ring	1	
29	GU12717600	Cap	1	
30	GU23093870	Bellows	1	
31	GU23999570	Mirrors-pair	1	
33	GU23117770	Throttle cable	2	

Assembly	FRAME
Code	33.12
Description	Handlebar - Controls
Revision	1



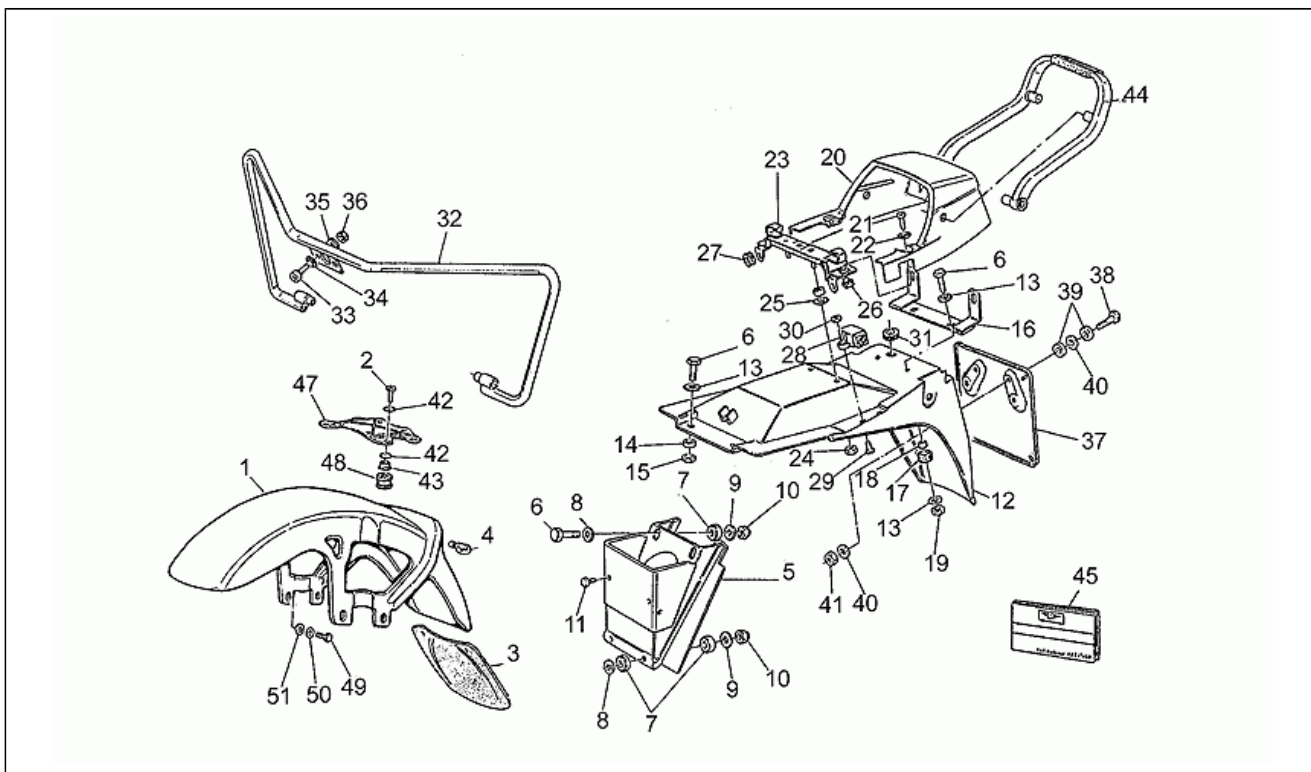
Pos.	Code	Description	Q.ty	Variants
34	GU23093070	Clutch cable	1	
35	GU14609650	Hose clamp 3,6x20,6	1	
35	GU61609630	Hose clamp	1	

Assembly	FRAME
Code	33.13
Description	Front/rear mudguards
Revision	1



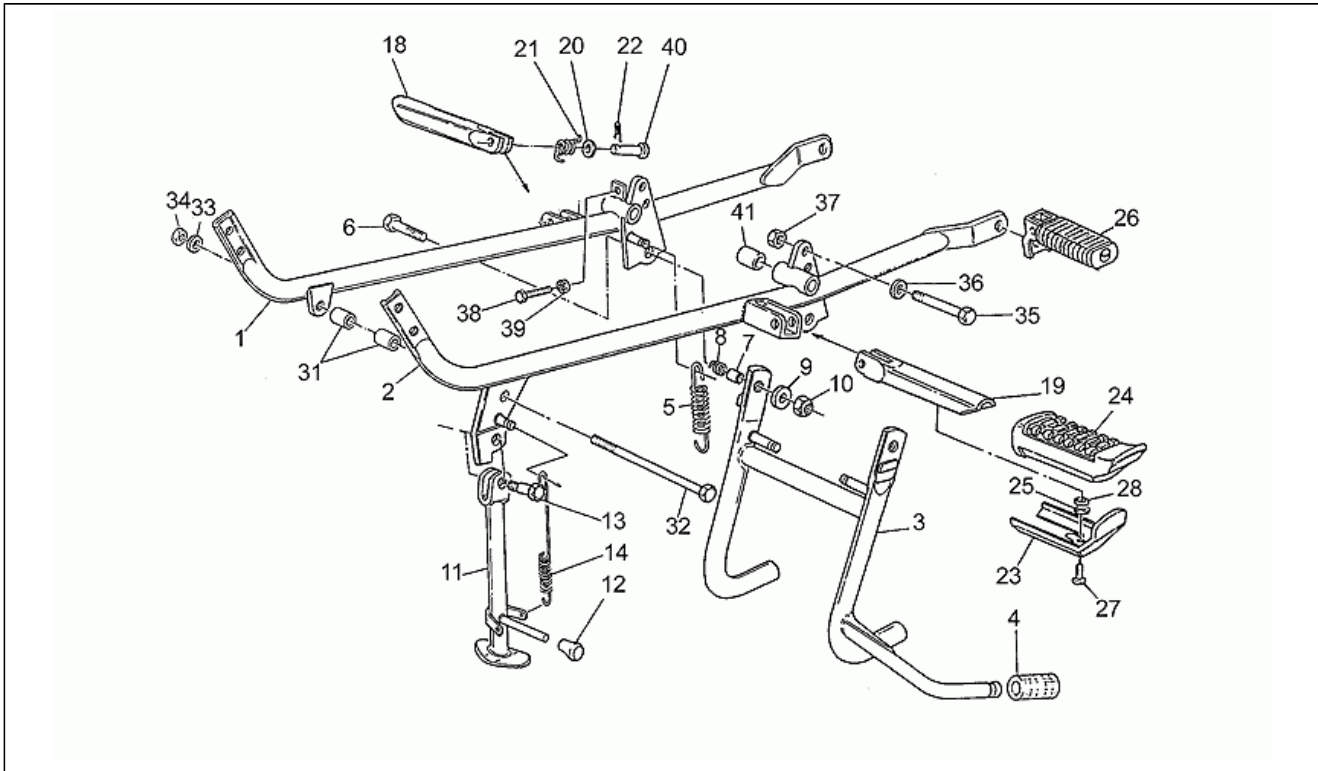
Pos.	Code	Description	Q.ty	Variants
1	GU28434300001	Front mudguard	1	
2	GU98230845	Screw	4	
3	GU27436920	Splash guard	1	
4	GU28659740	Eyelet	2	
5	GU27438635	Splash guard	1	
6	GU98054320	Hex screw M6X20	6	
7	GU93110060	Rubber spacer	8	
8	GU95000206	Washer	4	
9	GU95100141	Washer 6,4x12x1,2	4	
10	GU92630106	Nut M6x1	4	
11	GU19705900	Drift	2	
12	GU27437085	Rear mudguard	1	
13	GU95008206	Washer 6,15x11x0,8	6	
14	GU93110082	Rubber spacer	2	
15	GU92630106	Nut M6x1	2	
16	GU27474385	Rear headlight supp.	1	
17	GU91551085	Rubber spacer	2	
18	GU91180607	Spacer	2	
19	GU92630106	Nut M6x1	2	
20	GU234726301	Rear fairing	1	
21	GU98290516	Screw	2	
22	GU95008206	Washer 6,15x11x0,8	2	
23	GU27462085	Covers assy	1	
24	GU92602205	Nut	2	
25	GU95000205	Washer	2	
26	GU92660501	Captive nut	2	
27	GU91551082	Rubber spacer	2	
28	GU27468720	Lock	1	

Assembly	FRAME
Code	33.13
Description	Front/rear mudguards
Revision	1



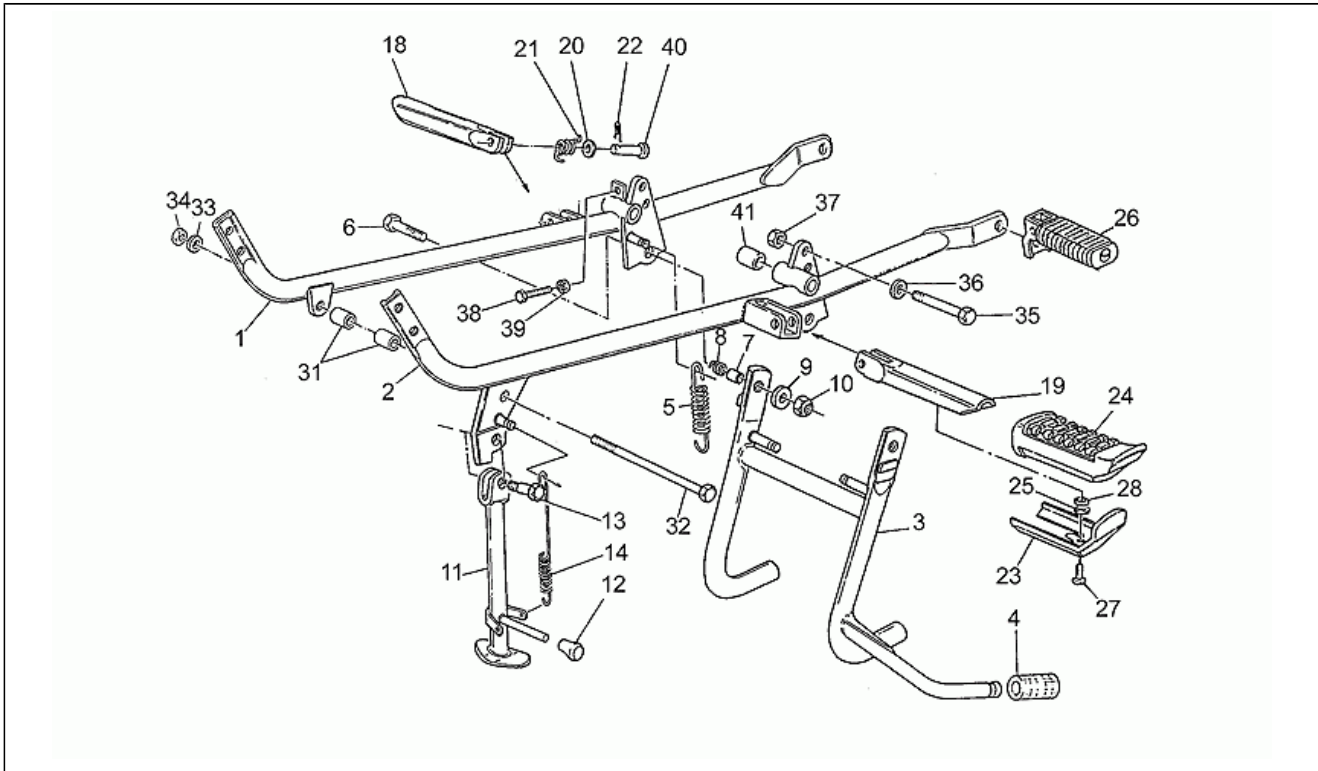
Pos.	Code	Description	Q.ty	Variants
29	GU98290511	Special cap screw M5x10	2	
30	GU92602205	Nut	2	
31	GU91551092	Grommet	1	
32	GU23450210	Front bumper	1	
33	GU98622420	Screw	2	
34	GU95021108	Spring washer	2	
35	GU95004208	Washer	4	
36	GU92602208	Nut M8X1,25	2	
37	GU14474650	Number plate holder	1	
38	GU98052220	Screw	4	
39	GU90716057	Spacer	8	
40	GU95100059	Washer 5,25x14x1,5	8	
41	GU92630105	Nut	4	
42	GU90706092	O-ring	8	
43	GU23436440	Bush	4	
44	GU23464430	Pillion grab bar	1	
45	GU27900035	Operator's handbook	1	
47	GU274366201	Plate	1	
48	GU23436540	Stud bolt	4	
49	GU98054420	Hex screw M8X20	4	
50	GU95000208	Washer	4	
51	GU61270300	Spring washer 8x15x0,3	4	

Assembly	FRAME
Code	33.14
Description	Foot rests - Lateral stand
Revision	1



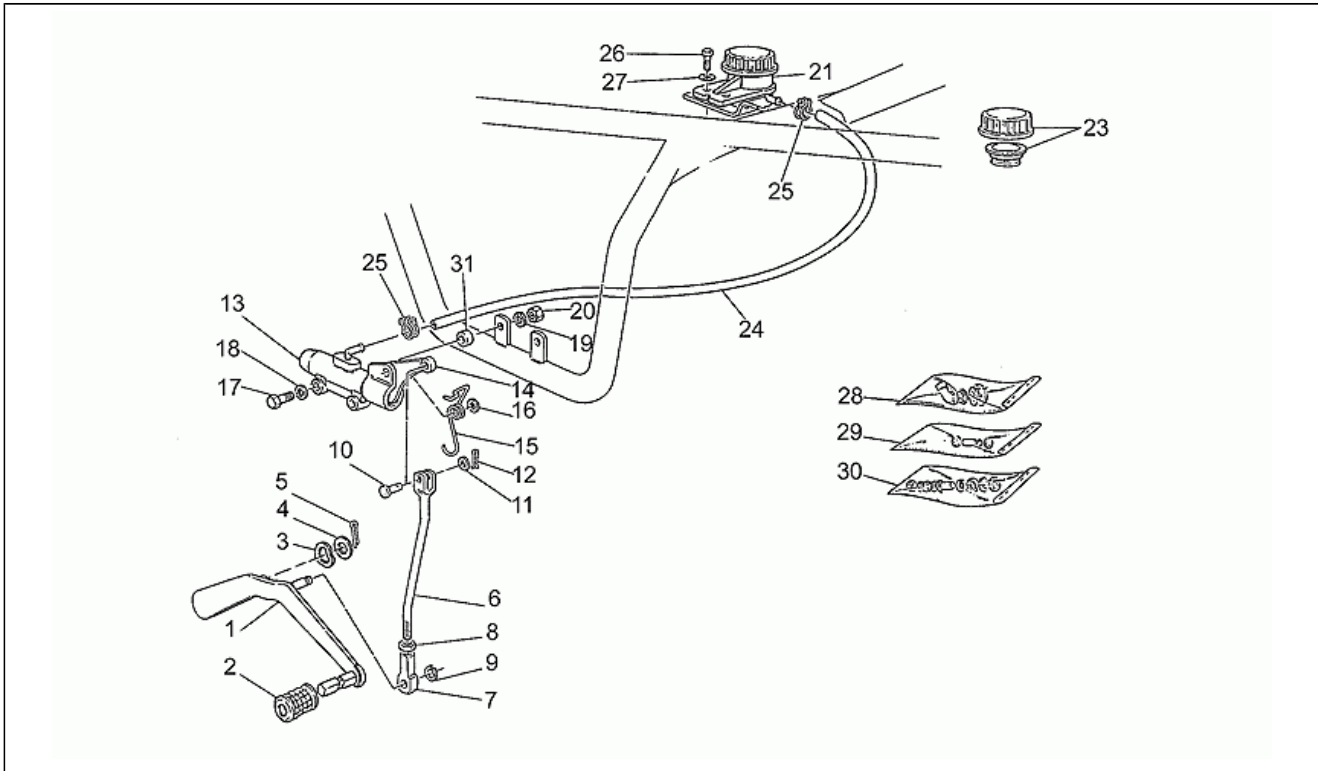
Pos.	Code	Description	Q.ty	Variants
1	GU234203401	RH cradle arm	1	
2	GU234221401	LH cradle arm	1	
3	GU23430340	Central stand	1	
4	GU13432640	Rubber pedal	1	
5	GU12434001	Lateral stand spring	2	
6	GU98054530	Screw	2	
7	GU91181114	Spacer	2	
8	GU94322215	Spring	2	
9	GU95000210	Washer	2	
10	GU92630510	Nut M10x1,5	2	
11	GU27432085	Lateral stand	1	
12	GU19433000	Lockup rubber	1	
13	GU99105129	Pin	1	
14	GU19434000	Spring	2	
18	GU23440710	RH front foot rest pipe	1	
19	GU23441810	LH front foot rest pipe	1	
20	GU95000208	Washer	2	
21	GU03441130	Spring	2	
22	GU95500222	Split pin	2	
23	GU23441210	Plate	2	
24	GU23443210	Rubber pedal	2	
25	GU95129130	Spring washer	2	
26	GU23442310	Rear footrest	2	
27	GU98054314	Screw	2	
28	GU91180602	Spacer	2	
31	GU19017000	Bush	2	
32	GU53429500	Pin M10x250	1	
33	GU95004210	Washer 10,2x18x2	1	

Assembly	FRAME
Code	33.14
Description	Foot rests - Lateral stand
Revision	1



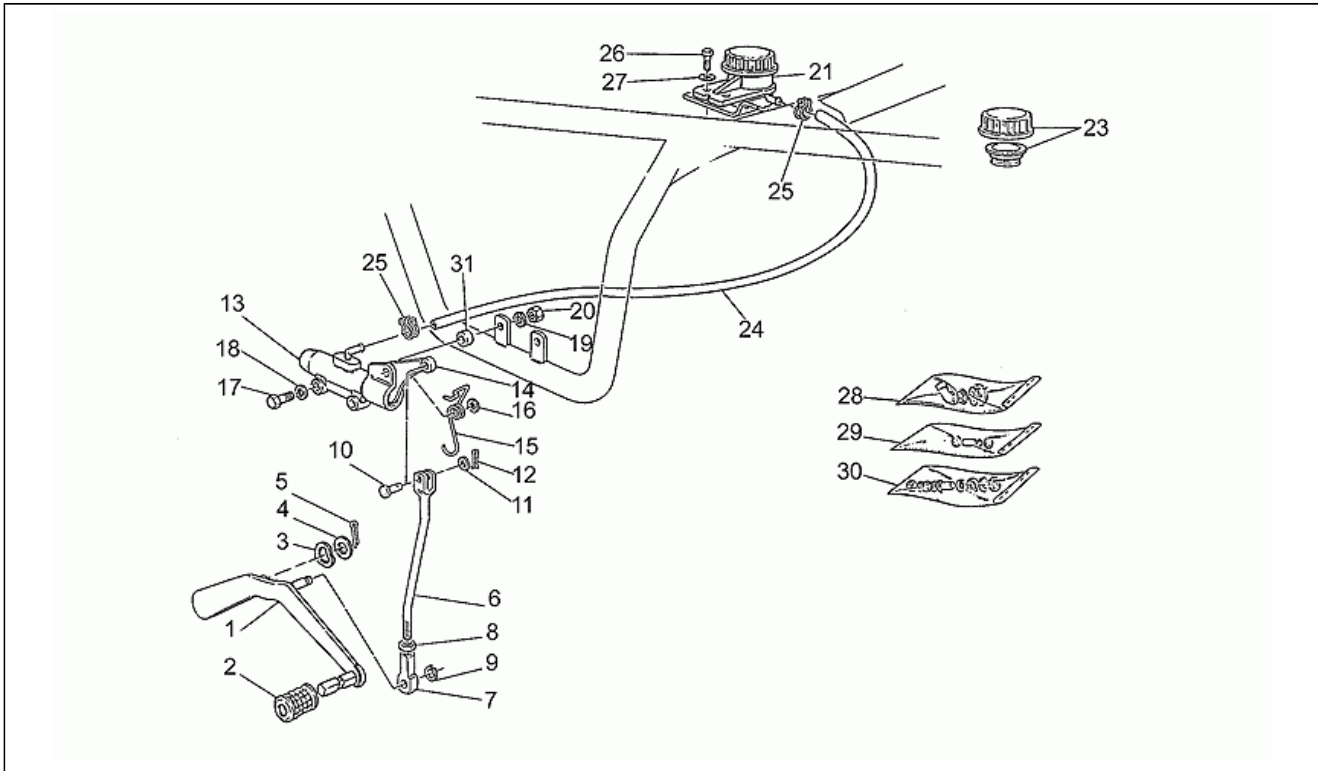
Pos.	Code	Description	Q.ty	Variants
34	GU92602210	Nut	1	
35	GU98052565	Screw	2	
36	GU95004210	Washer 10,2x18x2	2	
37	GU92602210	Nut	2	
38	GU98054322	Hex screw M6X22	1	
39	GU92602206	Nut	1	
40	GU23442210	Pin	2	
41	GU18252050	Bush 19 mm	4	

Assembly	FRAME
Code	33.15
Description	Rear master cylinder
Revision	1



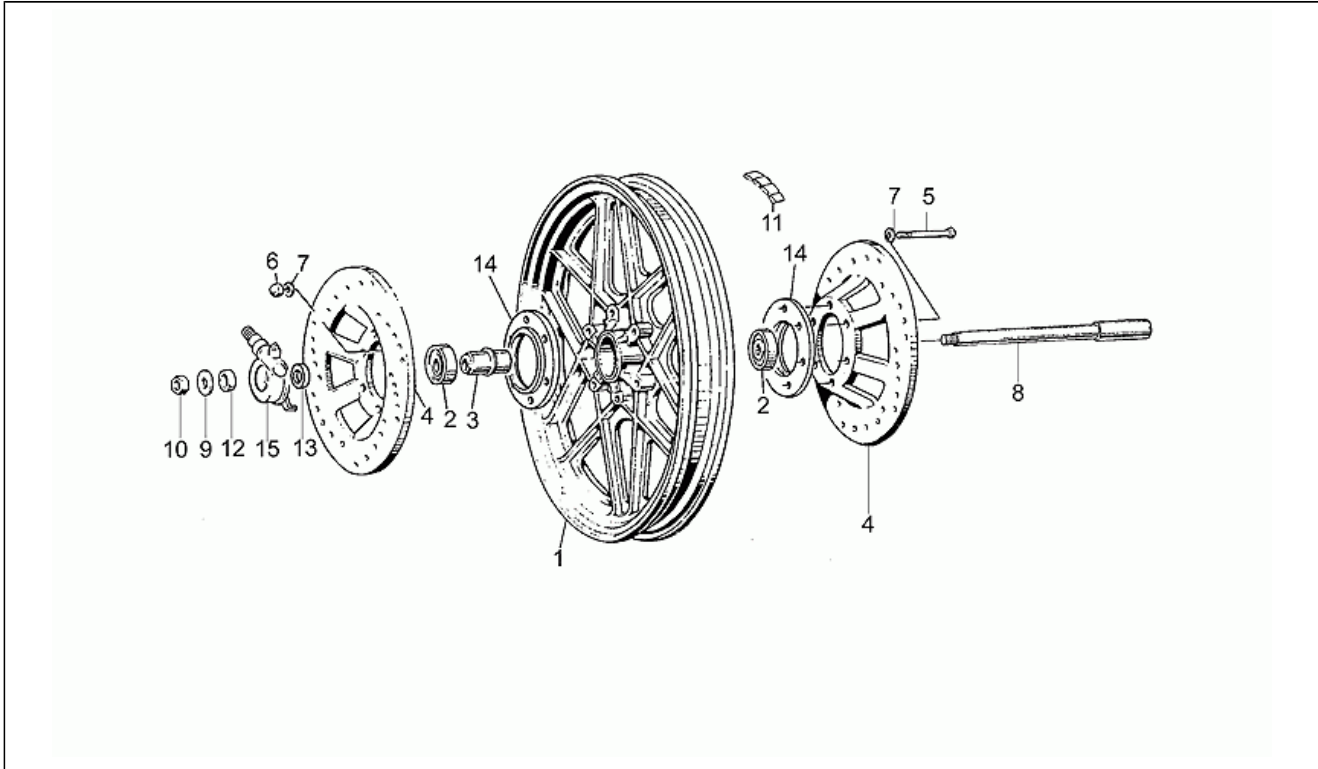
Pos.	Code	Description	Q.ty	Variants
1	GU19677000	Rear brake lever	1	
2	GU14251001	Rubber spacer	1	
3	GU95129260	Spring washer	1	
4	GU95004215	Flat washer	1	
5	GU95500227	Split pin	1	
6	GU19675000	Change gear tie rod compl.	1	
7	GU19257551	Block	1	
8	GU92690073	Nut	1	
9	GU90271003	Circlip	1	
10	GU95770265	Pin	1	
11	GU95129110	Washer	1	
12	GU95500222	Split pin	1	
13	GU31666990	Rear master cylinder	1	
14	GU19667500	Rear brake lever	1	
15	GU19667600	Rear brake lever spring	1	
16	GU95008206	Washer 6,15x11x0,8	1	
17	GU98054330	Screw	2	
18	GU95000206	Washer	2	
19	GU95021106	Notched washer	2	
20	GU92602206	Nut	2	
21	GU65663500	Brake oil tank	1	
23	GU17661052	Tank cap	1	
24	GU00823950050	Oil pipe	1	
25	GU69157801	Hose clamp	2	
26	GU98054216	Screw	2	
27	GU95100059	Washer 5,25x14x1,5	2	
28	GU19659500	Pump connection overhaul unit	1	
29	GU19659600	Lever overhaul kit	1	

Assembly	FRAME
Code	33.15
Description	Rear master cylinder
Revision	1



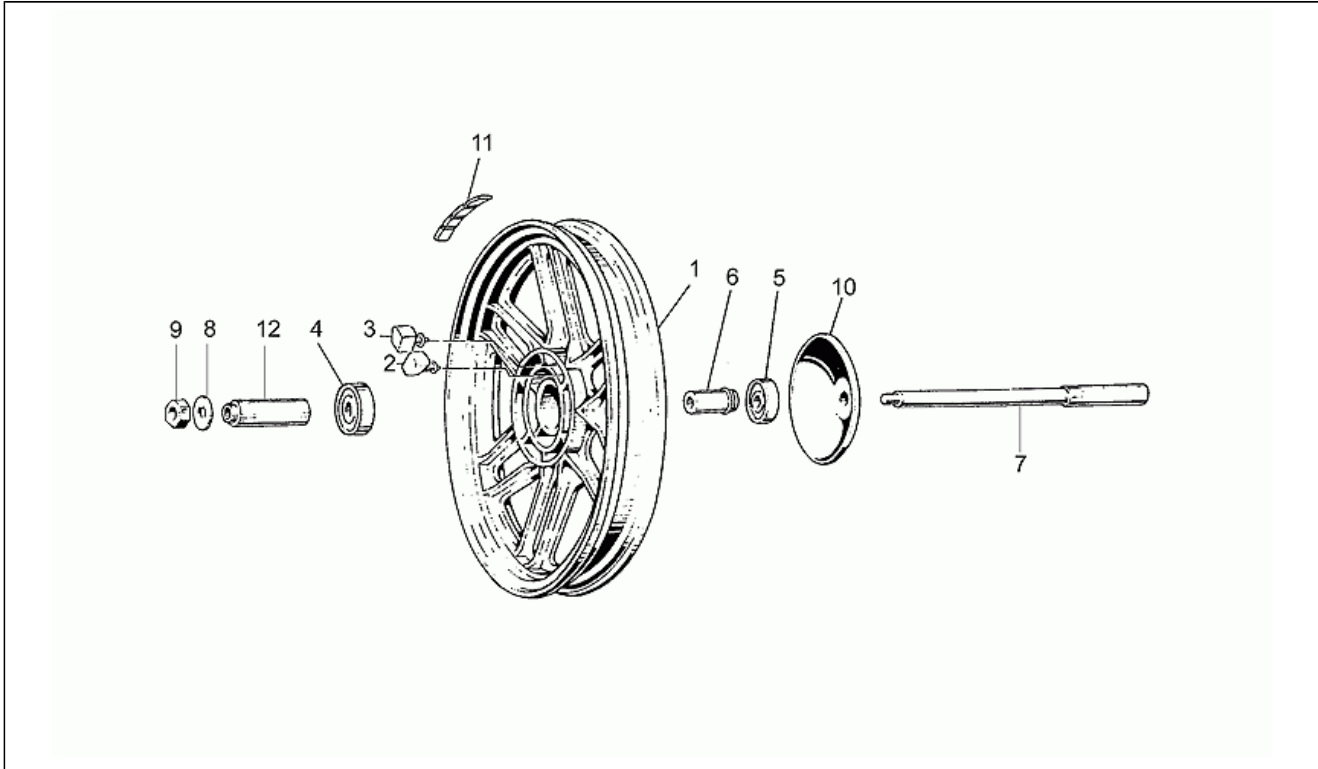
Pos.	Code	Description	Q.ty	Variants
30	GU17659350	Pump revision kit	1	
31	GU91180705	Spacer 7X12X5	2	

Assembly	FRAME
Code	33.16
Description	Front wheel
Revision	1



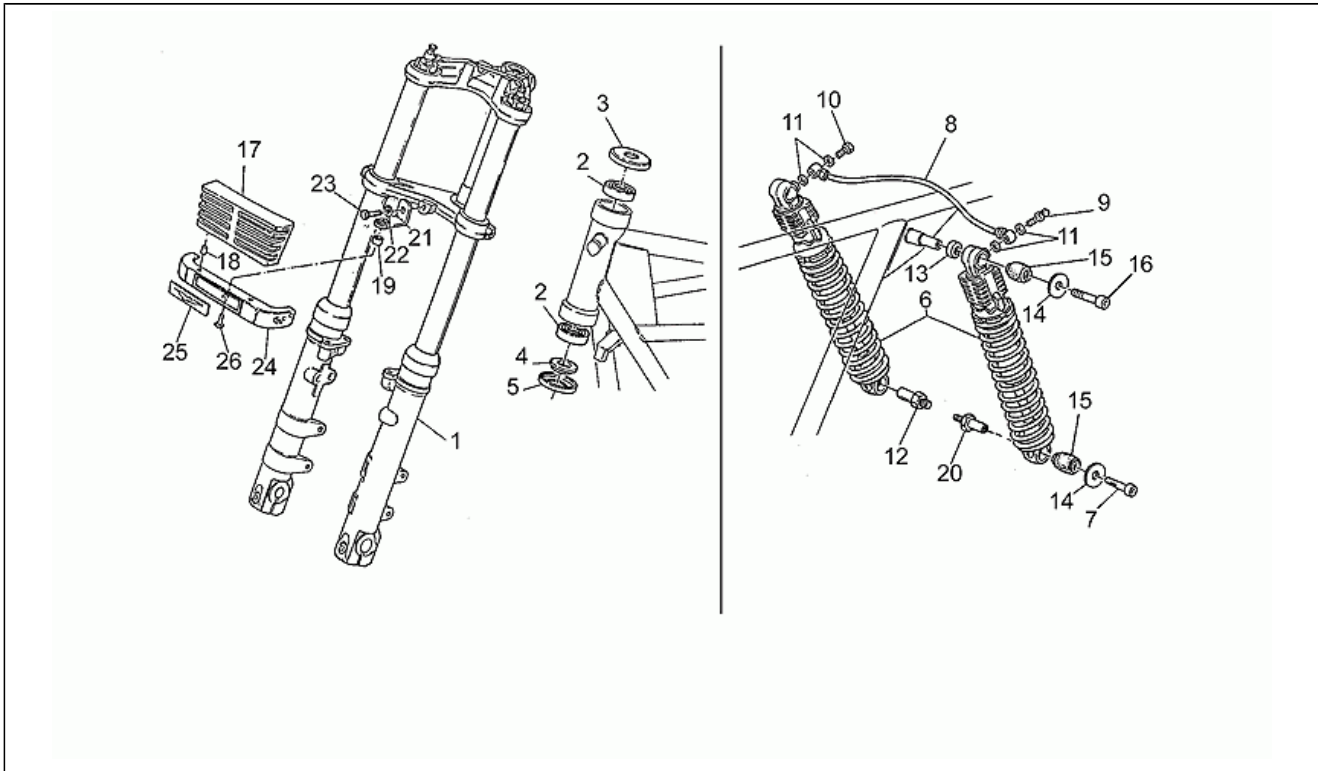
Pos.	Code	Description	Q.ty	Variants
1	GU196103351	Front wheel	1	
2	GU92204217	Bearing	2	
3	GU19615335	Spacer	1	
4	GU31613380	Brake disc	2	
5	GU98052490	Screw m8x90	6	
6	GU92730082	Cap nut	6	
7	GU95000208	Washer	12	
8	GU62614120	Front wheel spindle	1	
9	GU95004217	Washer 17X27X2	1	
10	GU92602516	Nut M16X1,5	1	
11	GU14616150	Counterweight	4	
12	GU62616320	Spacer	1	
13	GU91181804	Spacer	1	
14	GU14611255	Flange	2	
15	GU61762530	Speedometer gear Z=20/10	1	

Assembly	FRAME
Code	33.17
Description	Rear wheel
Revision	1



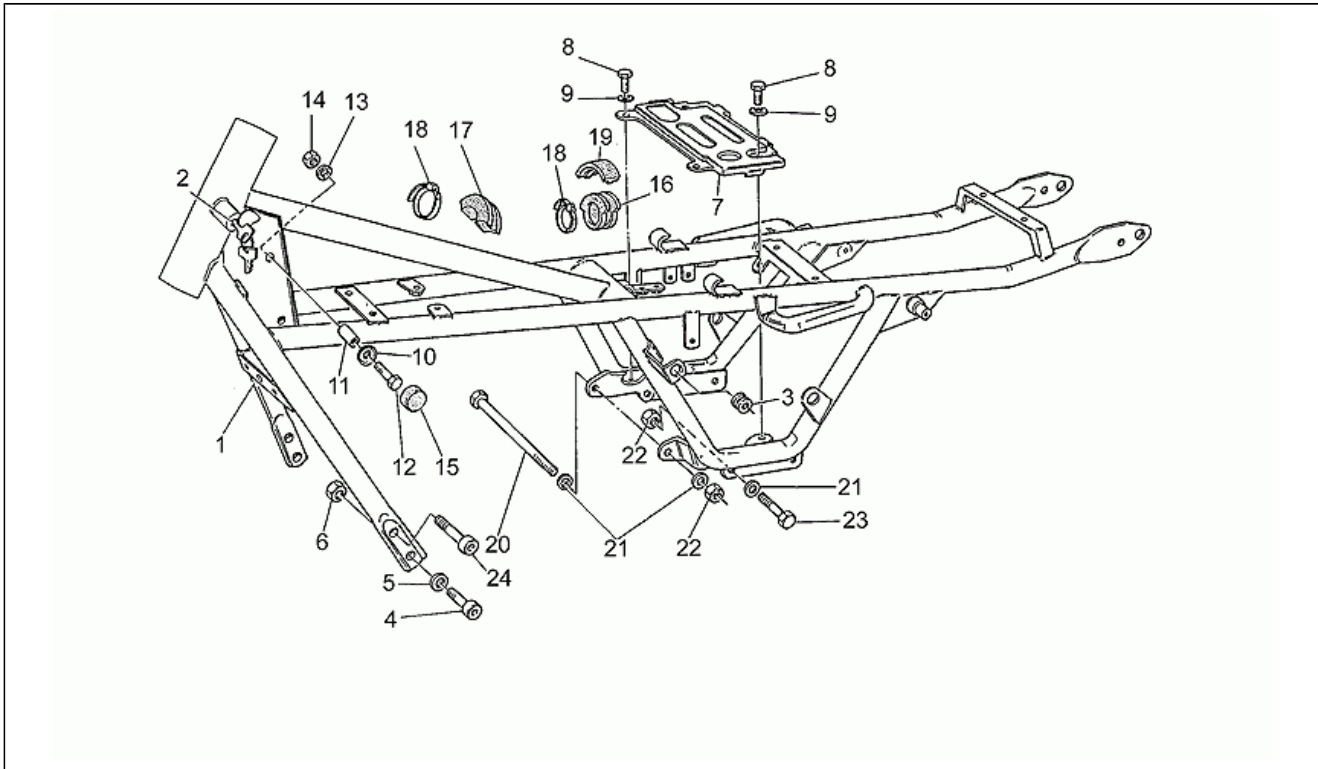
Pos.	Code	Description	Q.ty	Variants
1	GU23630640	Rear wheel	1	
2	GU19632501	RH rubber coupling	6	
3	GU19632502	LH rubber coupling	6	
4	GU92204218	Bearing	1	
5	GU92204217	Bearing	1	
6	GU19633935	Bearing internal spacer	1	
7	GU19633360	Rear wheel spindle	1	
8	GU14634400	Washer	1	
9	GU92602316	Nut M6X1,5	1	
10	GU19636400	Protection	1	
11	GU14616150	Counterweight	2	
12	GU19634100	Spacer	1	

Assembly	FRAME
Code	33.18
Description	Front/rear shock absorber
Revision	1



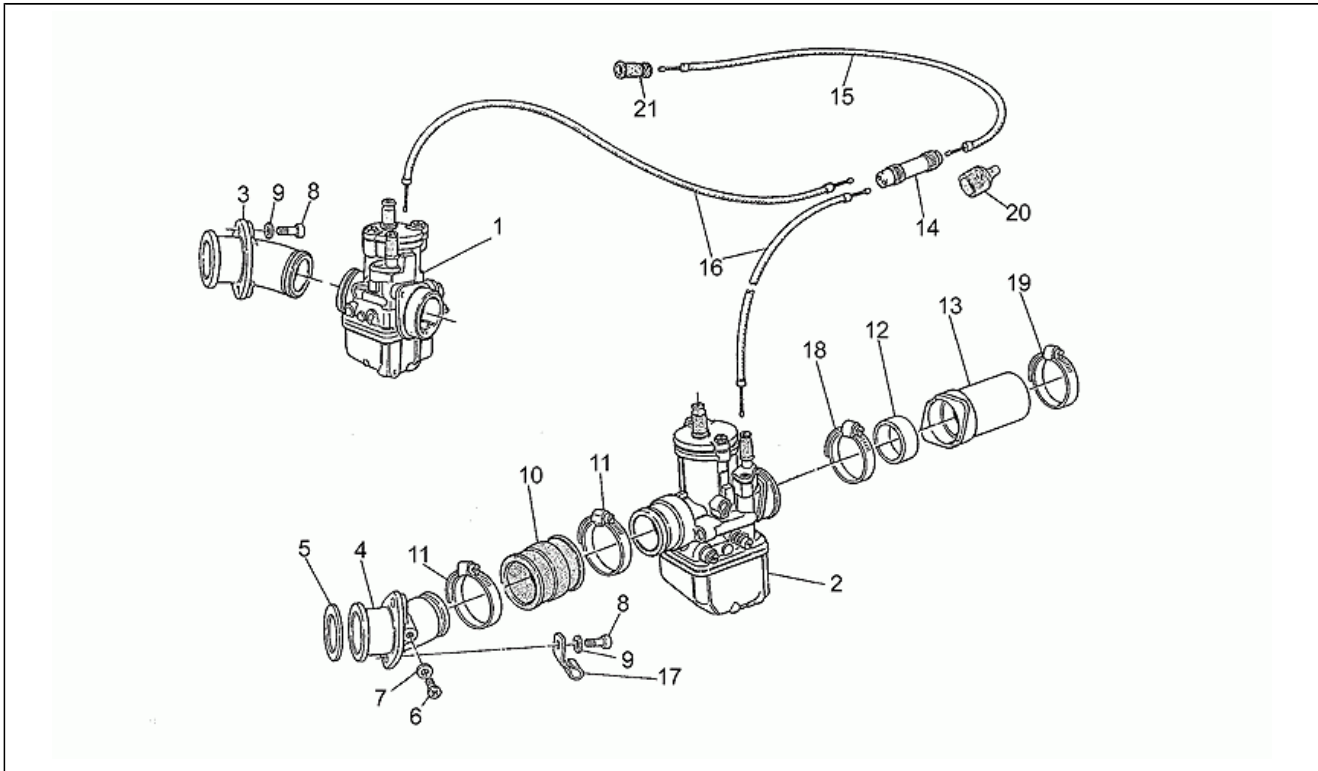
Pos.	Code	Description	Q.ty	Variants
1	GU23490340	Front fork	1	
2	GU92249225	Tap.roller bearing	2	
3	GU14494600	Cup	1	
4	GU14516700	Clearance washer	1	
5	GU14517000	Dust cover	1	
6	GU23999290	Shock absorber	1	Technical Specifications: First series[1A]
6	GU31550240	Rear shock absorber	2	Technical Specifications: See technical comm.n.286 of 1995[28695C], Second series[2A]
7	GU98822416	Screw	2	
8	GU19556160	Pipe	1	
9	GU28556250	Air valve	2	
10	GU28556450	Bored screw	1	
11	GU28556350	Copper washer	4	
12	GU19555200	Pin	1	
13	GU91181407	Spacer	3	
14	GU95100256	Washer	4	
15	GU14551655	Silent-block	4	
16	GU98620450	Screw	2	
17	GU23505810	Turn indicator support grill	1	
18	GU23922210	Pin	2	
19	GU91180706	Spacer	1	
20	GU19555260	Pin	1	
21	GU19498060	Plate	1	
22	GU61013800	Special washer	1	
23	GU98054320	Hex screw M6X20	1	
24	GU23751310	Clamp	1	
25	GU28769533	Trademark sticker	1	
26	GU98326014	Screw	1	

Assembly	FRAME
Code	33.19
Description	Frame
Revision	1



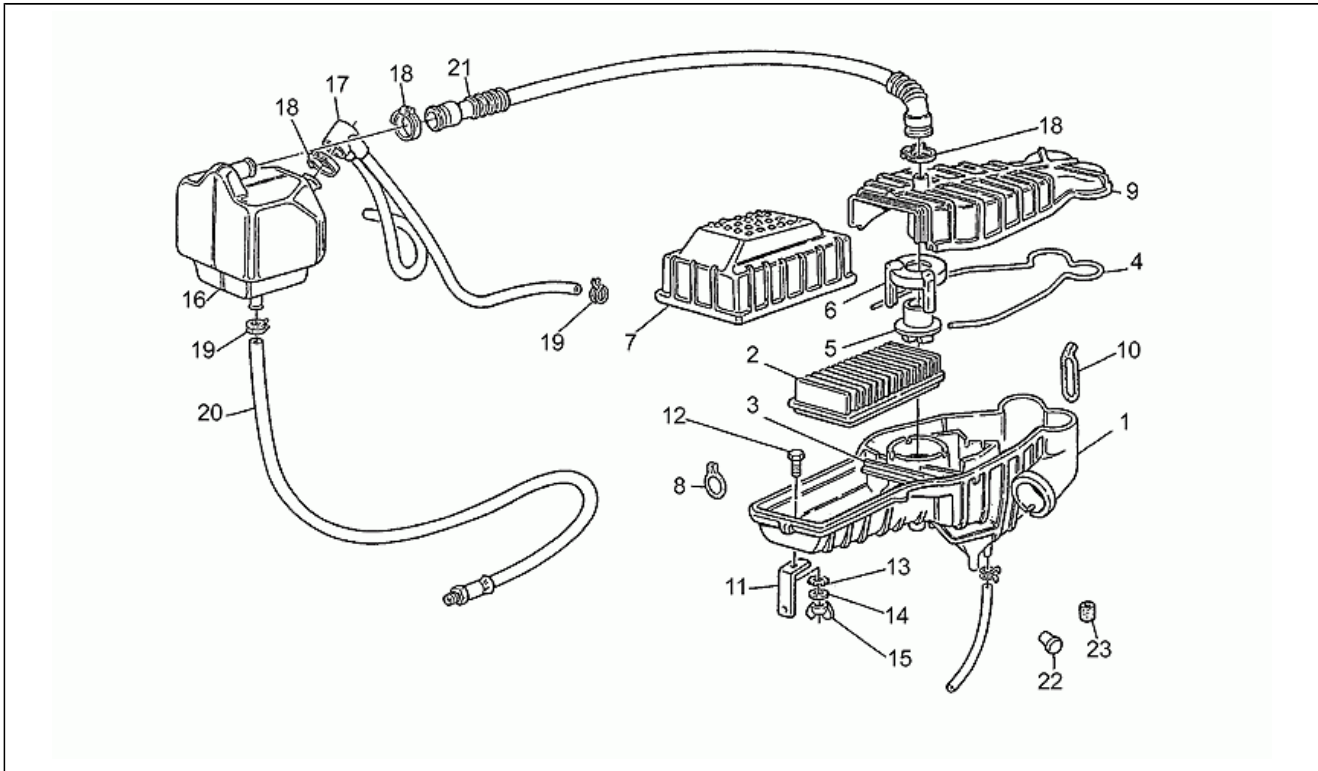
Pos.	Code	Description	Q.ty	Variants
1	GU23400140	Frame	1	
2	GU19782520	Lock	2	
3	GU91551085	Rubber spacer	4	
4	GU98622525	Screw 25 mm	2	
5	GU95120105	Washer	4	
6	GU92602210	Nut	4	
7	GU27418220	Plate	1	
8	GU98054416	Hex screw M8X16	4	
9	GU95000208	Washer	4	
10	GU39103500	Disc	2	
11	GU91180716	Spacer	2	
12	GU98054325	Screw	2	
13	GU95008206	Washer 6,15x11x0,8	2	
14	GU92630106	Nut M6x1	2	
15	GU39103400	Drift	2	
16	GU27109085	Rubber spacer	2	
17	GU14107100	Drift	1	
18	GU14609650	Hose clamp 3,6x20,6	3	
19	GU27108935	Rubber spacer	2	
20	GU98110199	Pin M10x205	1	
21	GU95004210	Washer 10,2x18x2	3	
22	GU92602210	Nut	2	
23	GU98052555	Screw	2	
24	GU98620545	Screw	2	

Assembly	FRAME
Code	33.21
Description	Fuel supply
Revision	1



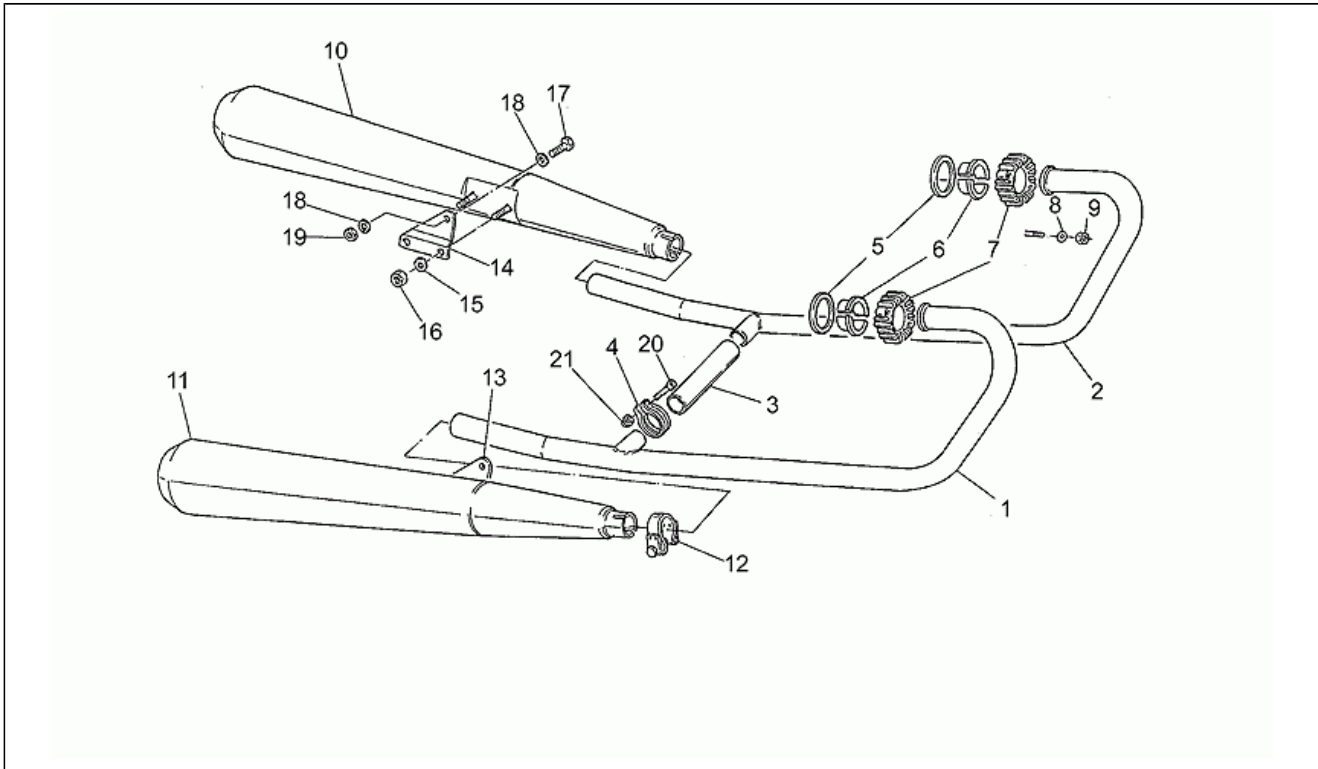
Pos.	Code	Description	Q.ty	Variants
1	GU23112674	Carburettor RH PHBH 30BD	1	
2	GU23112675	Carburettor LH PHBH 30BS	1	
3	GU19115060	RH manifold	1	
4	GU19115061	LH manifold	1	
5	GU19115580	Gasket	2	
6	GU98310610	Screw	2	
7	GU95100116	Washer 6,25x10x1,5	2	
8	GU98822325	Screw	4	
9	GU61013800	Special washer	4	
10	GU19114360	Hose	2	
11	GU93305032	Hose clamp 32X52X8	4	
12	GU19114680	Gasket ring	2	
13	GU19114460	Air intake hose	2	
14	GU30607910	Splitter	1	
15	GU23132810	Choke cable	1	
16	GU27133515	Choke cable	2	
17	GU19718000	Hose clamp	2	
18	GU93305045	Hose clamp	2	
19	GU93305052	Hose clamp	2	
20	GU12717600	Cap	1	
21	GU29132750	Rubber spacer	1	

Assembly	FRAME
Code	33.22
Description	Intake
Revision	1



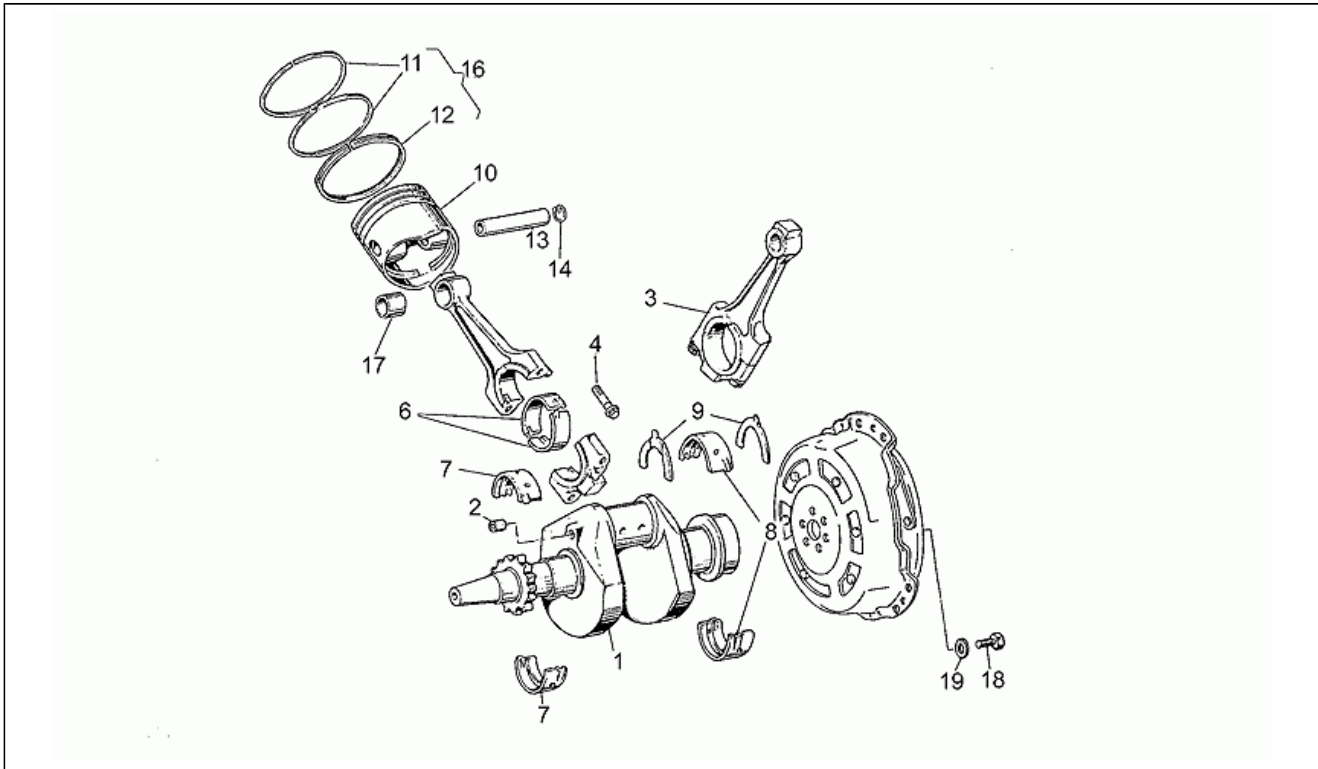
Pos.	Code	Description	Q.ty	Variants
1	GU19114060	Lower side filter case	1	
2	GU28113650	Air filter	1	
3	GU19112960	Bracket	1	
4	GU19113960	Gasket	1	
5	GU19111060	Protection	1	
6	GU19111160	Cover	1	
7	GU19113760	Filter cover	1	
8	GU31110715	Short spring	3	
9	GU19113460	Upper side filter case	1	
10	GU31110815	Lenght spring	1	
11	GU31114165	Air filter support	1	
12	GU98054214	Screw	1	
13	GU95021105	Notched washer	1	
14	GU95000205	Washer	1	
15	GU92670305	Nut	1	
16	GU31153481	Housing	1	
17	GU27159661	Breather	1	
18	GU93305018	Hose clamp	3	
19	GU61108400	Hose clamp	3	
20	GU27159360	Breather	1	
21	GU27157420	Pipe	1	
22	GU19433000	Lockup rubber	1	
23	GU14423800	Rubber spacer	1	

Assembly	FRAME
Code	33.29
Description	Exhaust unit
Revision	1



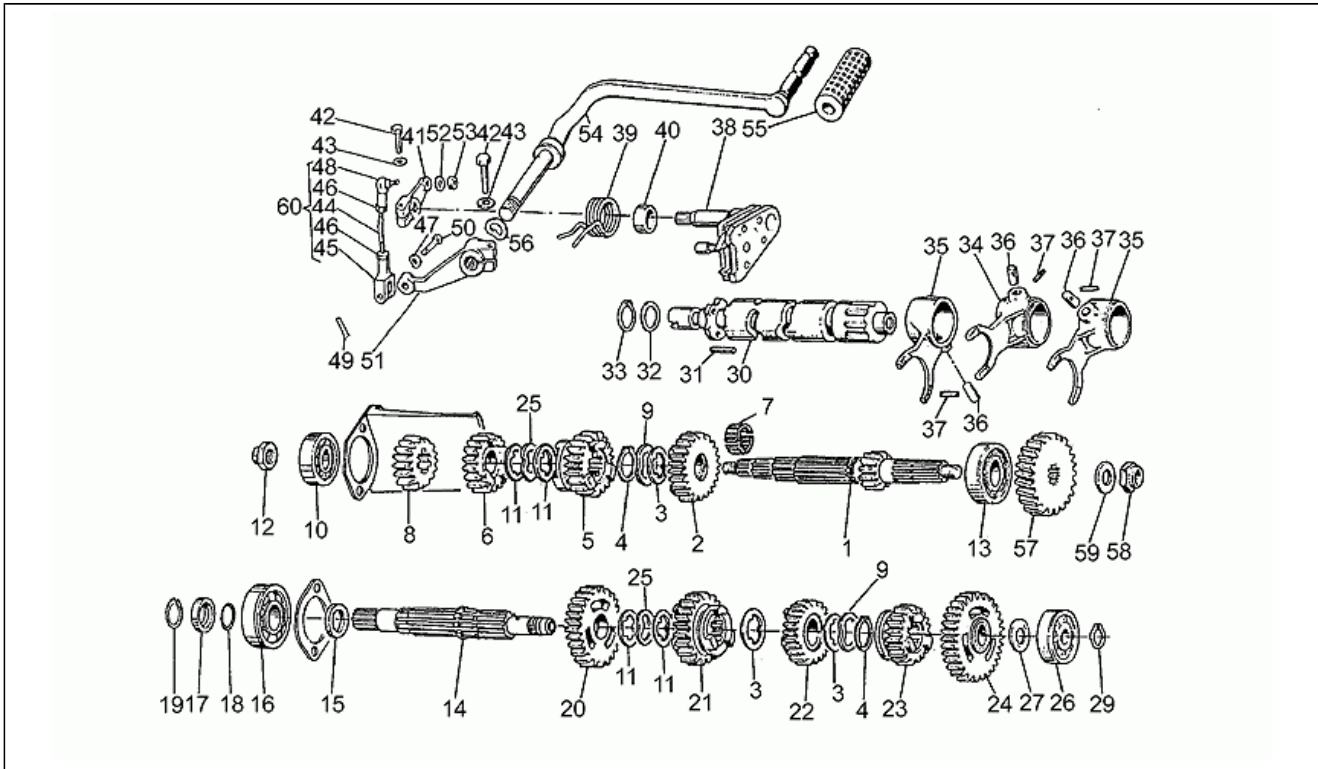
Pos.	Code	Description	Q.ty	Variants
1	GU19120765	RH exhaust pipe	1	
2	GU19120766	LH exhaust pipe	1	
3	GU19121135	Exhaust pipe	1	
4	GU61126920	Hose clamp	2	
5	GU19025280	Gasket	2	
6	GU61025400	Spacer	4	
7	GU19121050	Exhaust ring nut	2	
8	GU61013800	Special washer	4	
9	GU92701062	Nut	4	
10	GU19122960	LH silencer	1	
11	GU19123060	RH silencer	1	
12	GU14126900	Hose clamp	2	
13	GU19128660	RH plate	1	
14	GU19128760	LH plate	1	
15	GU61270300	Spring washer 8x15x0,3	4	
16	GU92602208	Nut M8X1,25	4	
17	GU98054522	Hex screw M10X22	2	
18	GU95022110	Notched washer	4	
19	GU92602410	Nut	2	
20	GU61127520	Screw	2	
21	GU61127220	Ring nut	2	

Assembly	ENGINE
Code	34.20
Description	Drive shaft
Revision	1



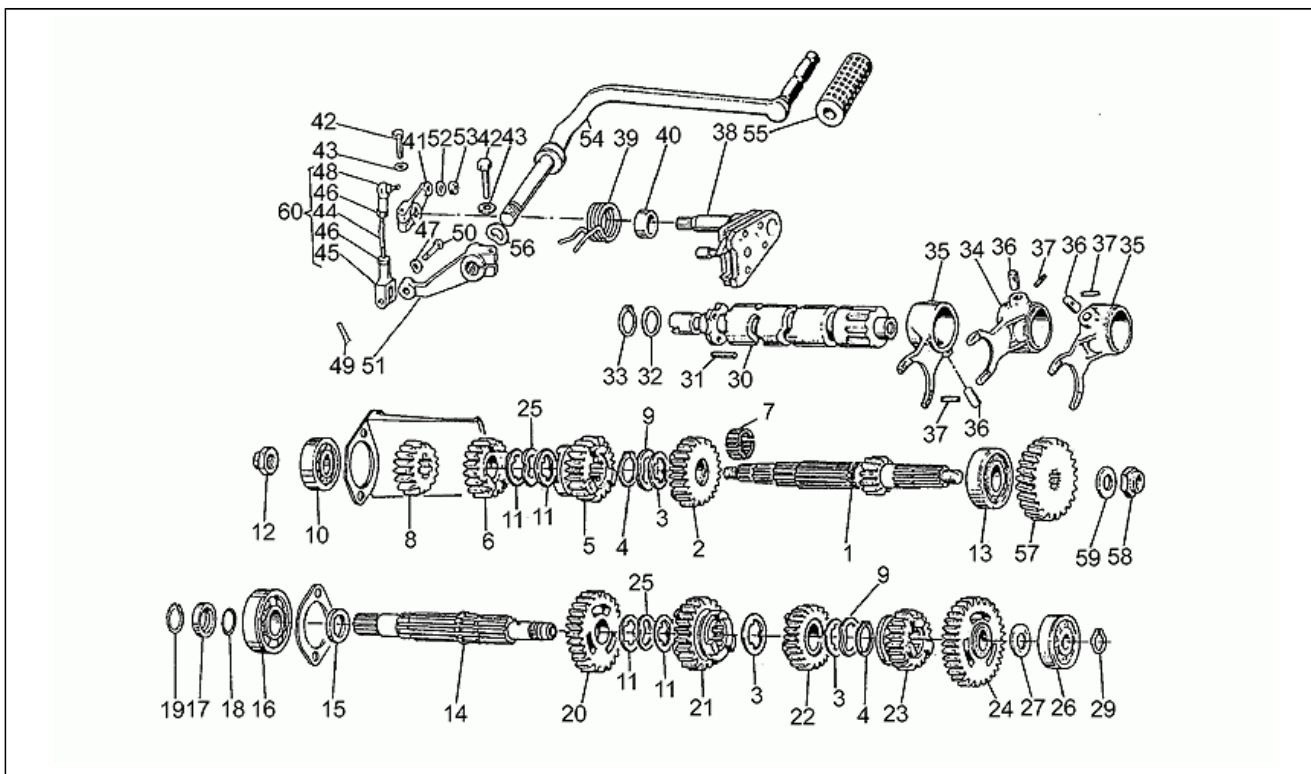
Pos.	Code	Description	Q.ty	Variants
1	GU19064161	Drive shaft	1	
2	GU19065400	Plug	1	
3	GU19061561	Connecting rod	2	
4	GU19062261	Screw	4	
6	GU27062060	Bearing half-shell	4	
7	GU27065660	Front main half-bearing	2	
8	GU27066560	Rear main half-bearing	2	
9	GU27066460	Half-clamp	2	
10	GU23060271	Piston assy	2	
11	GU19060763	Slot piston ring	4	
12	GU19061063	Scraper ring	2	
13	GU19061263	Piston pin	2	
14	GU19061363	Stop ring	4	
16	GU19060663	Pistonring set	2	
17	GU19061860	Bushing	2	
18	GU19067700	Screw	6	
19	GU14615901	Washer 8,4X13X0,8	6	

Assembly	ENGINE
Code	34.23
Description	Gear box
Revision	1



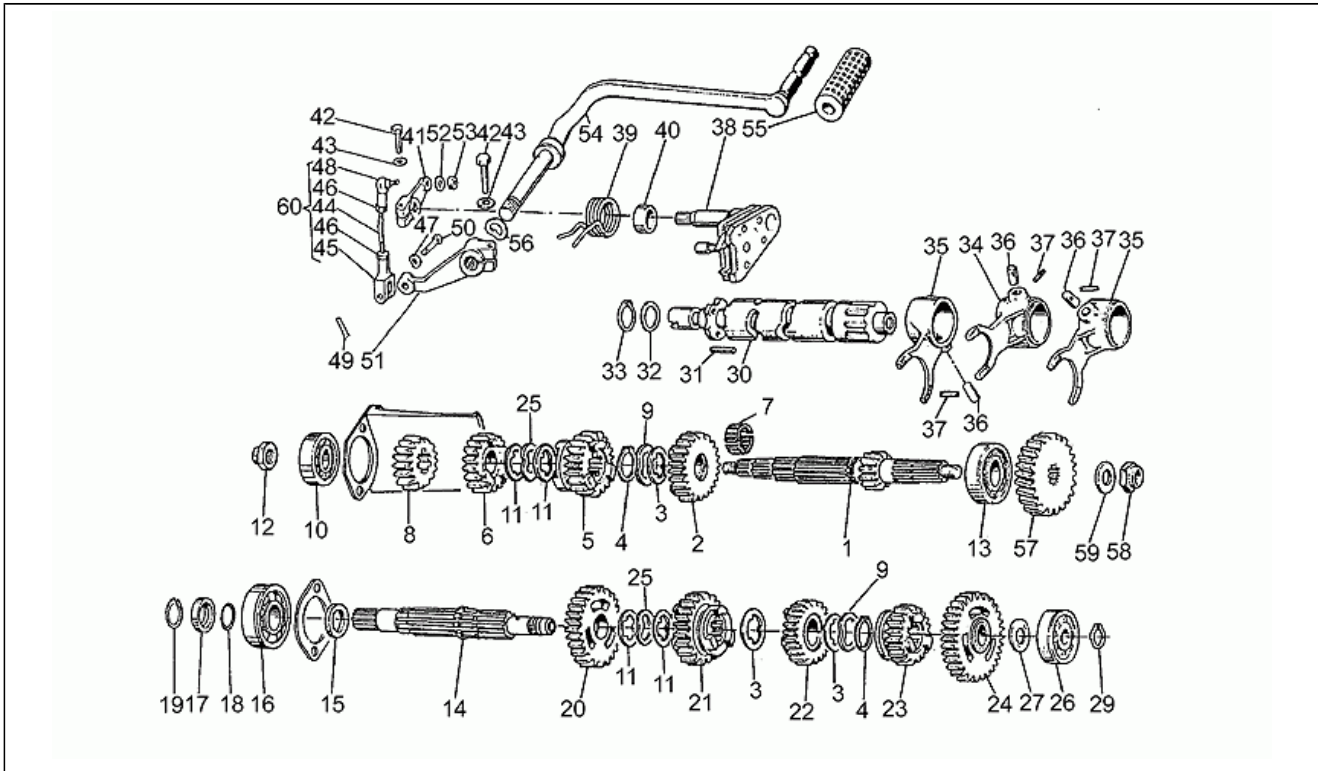
Pos.	Code	Description	Q.ty	Variants
1	GU19210561	Primary gear shaft Z=11	1	
2	GU19212061	Gear 5a AP Z=20	1	
3	GU19215460	Thrust washer	3	
4	GU90271127	Circlip	2	
5	GU19211861	Gear 4a AP Z=18	1	
6	GU19211460	Gear 3a AP Z=18	1	
7	GU92251023	Roller cage	1	
8	GU19211361	Gear 2a AP Z=14	1	
9	GU19218062	Washer	2	
10	GU92218417	Bearing AP 17x40x17,5	1	
11	GU19214660	Clearance washer	4	
12	GU10054100	Nut	1	
13	GU92230320	Bearing AP 20x37x17	1	
14	GU19213661	Driven shaft	1	
15	GU19212900	Spacer	1	
16	GU92201220	Bearing 20X47X14	1	
17	GU19213720	Spacer	1	
18	GU90706188	Gasket ring 18,77X1,78	1	
19	GU90271121	Circlip	1	
20	GU23214571	Gear 2a AS Z=23	1	
21	GU19214860	Gear 3a AS Z=23	1	
22	GU19215161	Gear 4a AS Z=19	1	
23	GU19215261	Gear 5a AS Z=18	1	
24	GU19214063	Gear 1a AS Z=26	1	
25	GU19218061	Washer	2	
26	GU92234716	Bearing	1	
27	GU10214301	Spacer 1,7 mm	1	
27	GU10214302	Spacer 1,8 mm	1	

Assembly	ENGINE
Code	34.23
Description	Gear box
Revision	1



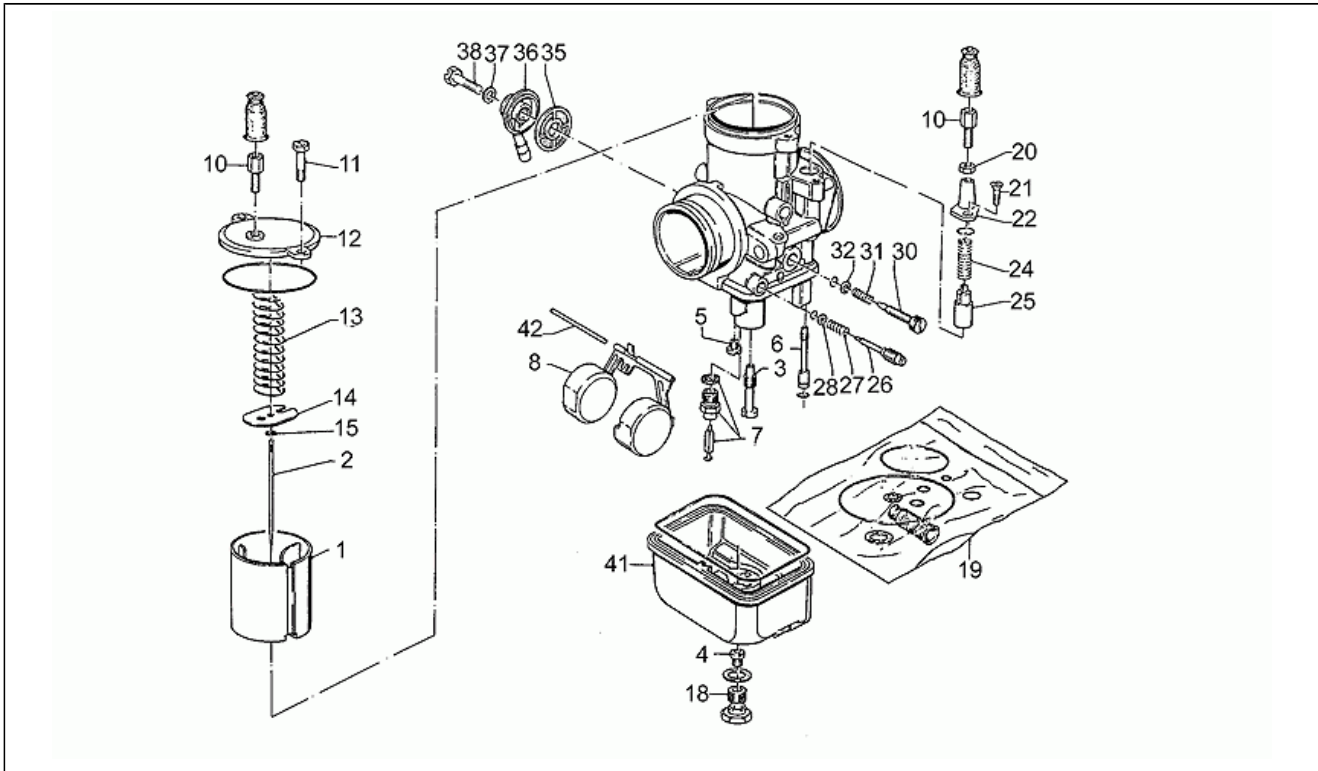
Pos.	Code	Description	Q.ty	Variants
27	GU10214303	Spacer 1,9 mm	1	
27	GU10214304	Washer 2 mm	1	
27	GU10214305	Spacer 2,1 mm	1	
29	GU90271117	Circlip	1	
30	GU19234420	Shift cam	1	
31	GU19234600	Pin	4	
32	GU19355360	Washer	1	
33	GU90271020	Snap ring	1	
34	GU19231220	Fork AP	1	
35	GU19231020	Fork AS	2	
36	GU92297909	Roller	3	
37	GU95520316	Pin	3	
38	GU20999520	Pre-selector kit	1	Technical Specifications: See spare parts comm.n.013 of 1997[01397N]
39	GU61238200	Spring	1	
40	GU91182010	Bush	1	
41	GU19258220	Shift lever	1	
42	GU98052325	Screw	2	
43	GU95021106	Notched washer	2	
44	GU18257950	Tie rod	1	
45	GU12626800	Fork	1	
46	GU92602206	Nut	2	
47	GU95129110	Washer	1	
48	GU18258101	Ball joint	1	
49	GU95500222	Split pin	1	
50	GU95770265	Pin	1	
51	GU19256920	Lever	1	
52	GU61013800	Special washer	1	

Assembly	ENGINE
Code	34.23
Description	Gear box
Revision	1



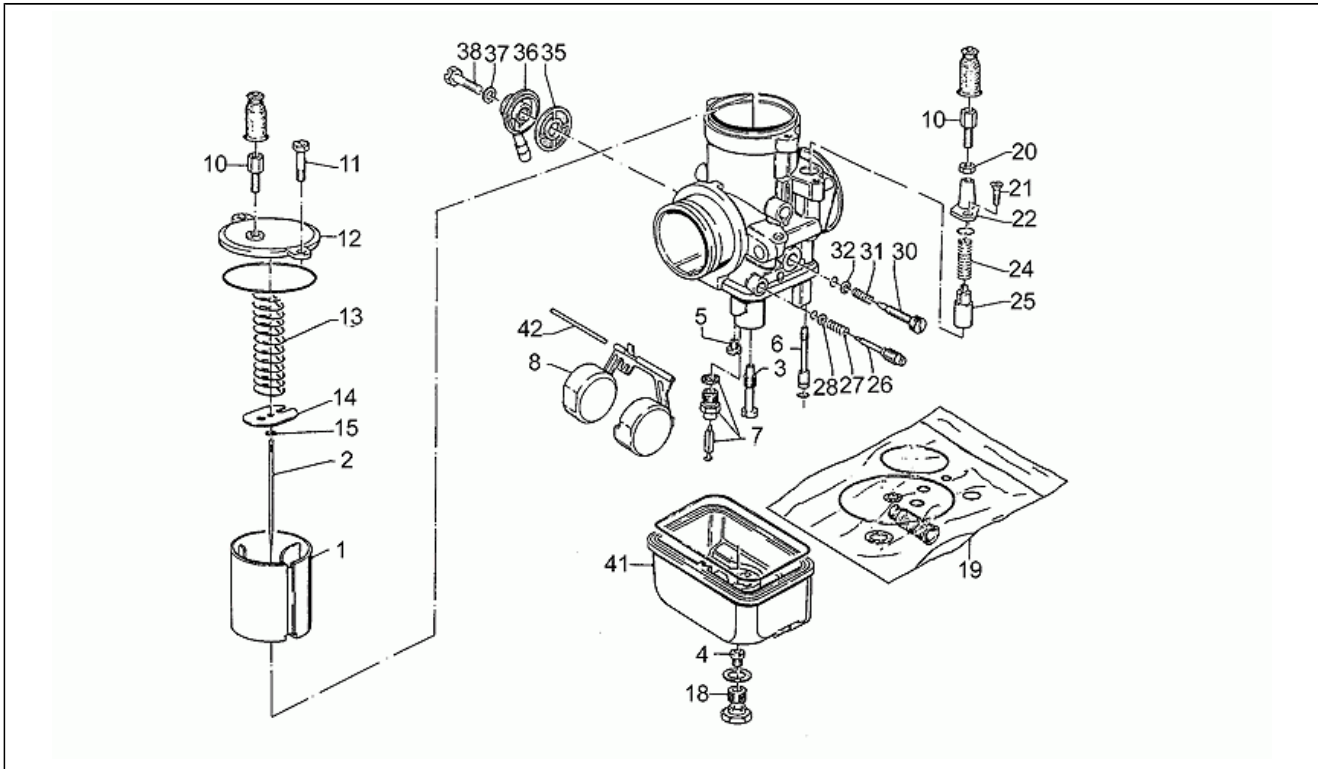
Pos.	Code	Description	Q.ty	Variants
53	GU92630106	Nut M6x1	1	
54	GU19250900	Complete gearchange lever	1	
55	GU14251001	Rubber spacer	1	
56	GU95129260	Spring washer	1	
57	GU19211160	Gear Z=22	1	
58	GU10054100	Nut	1	
59	GU39238100	Clearance washer	1	
60	GU19257701	Change gear tie rod compl.	1	

Assembly	ENGINE
Code	34.24
Description	Carburettors
Revision	1



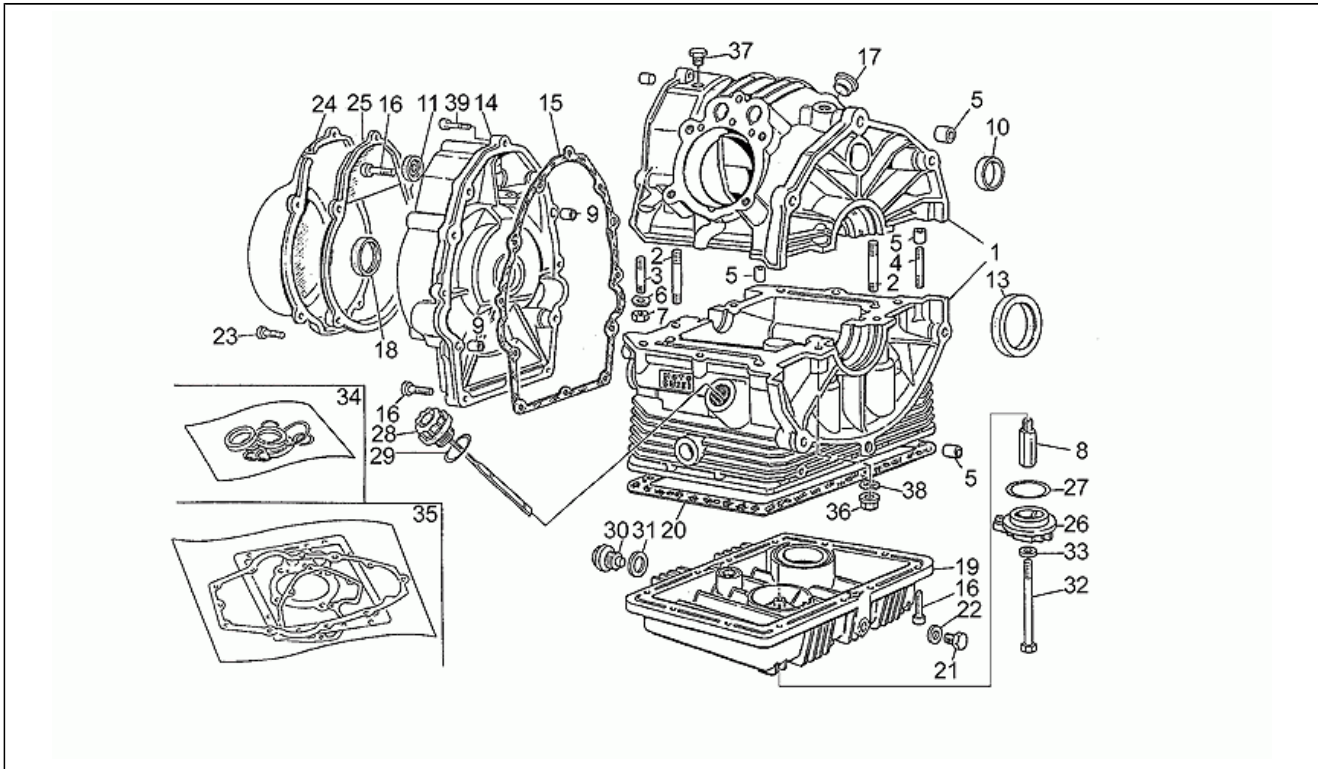
Pos.	Code	Description	Q.ty	Variants
1	GU23934870	Gas valve 45	2	
2	GU19934960	Conical pin 8	2	
3	GU19935580	Needle valve 268T	2	
4	GU19935750	Main jet 105	2	
5	GU27935960	Idle jet 38	2	
6	GU19936000	Starter jet 60	2	
7	GU19934600	Needle valve	2	
8	GU27934315	Float gr.9,5	2	
10	GU12937200	Wire tensioner screw	4	
11	GU14934650	Screw	2	
12	GU19935080	Cover	2	
13	GU19937180	Gas valve return spring	2	
14	GU19938580	Plate	2	
15	GU65933600	Conical pin clip	2	
18	GU10933700	Plug with OR	2	
19	GU19939980	Gaskets set	1	
20	GU19938880	Nut	4	
21	GU13937900	Screw	2	
22	GU17937450	Starter device cover	2	
24	GU39937600	Valve spring	2	
25	GU13937800	Starter valve	2	
26	GU13936200	Adj.min.eng.speed screw	2	
27	GU13936300	Spring	2	
28	GU65933700	Flat washer	2	
30	GU13936600	Gas valve adjuster screw	2	
31	GU13936700	Spring	2	
32	GU14931650	Flat washer	2	
35	GU43934000	Fuel filter	2	

Assembly	ENGINE
Code	34.24
Description	Carburettors
Revision	1



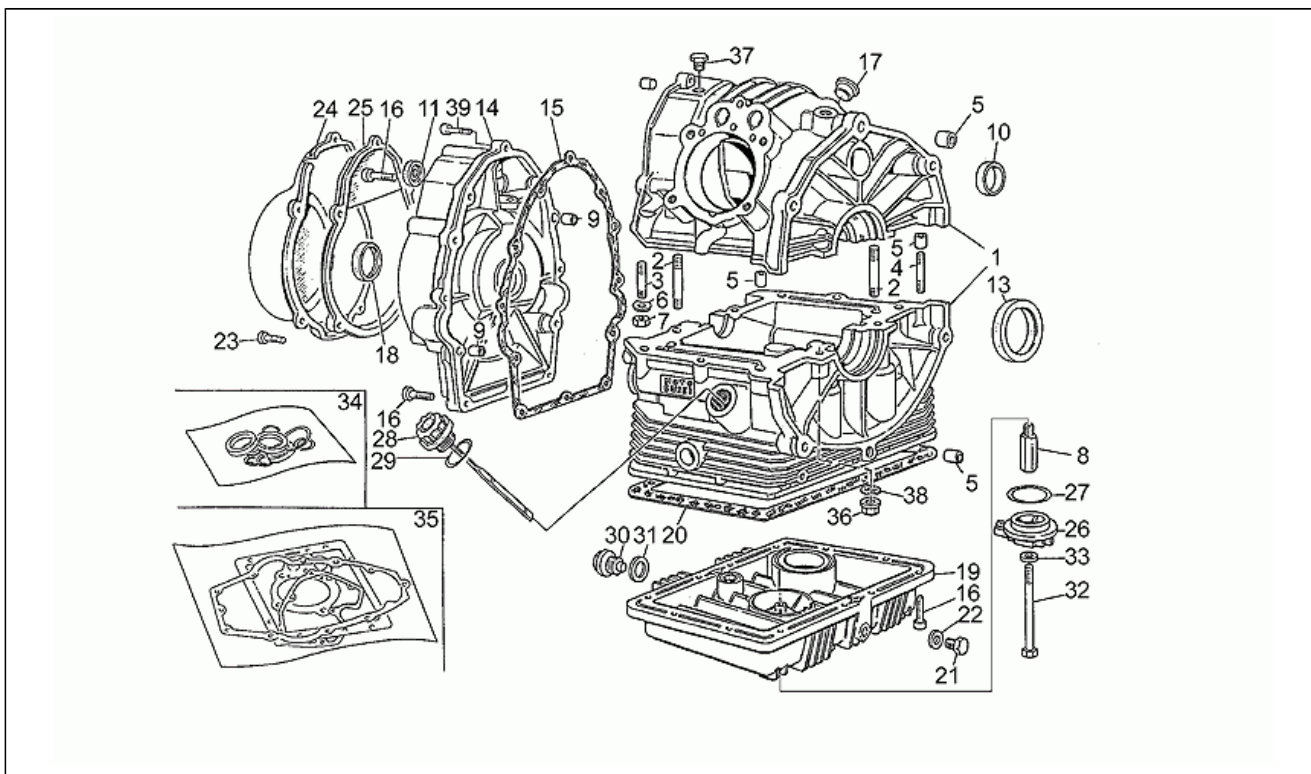
Pos.	Code	Description	Q.ty	Variants
36	GU13934600	Fuel pipe union cap	2	
37	GU13934700	Gasket	2	
38	GU10934900	Cap fixing screw	2	
41	GU19934480	Aluminium float chamber	2	
42	GU13933100	Float pin	2	

Assembly	ENGINE
Code	34.25
Description	Crankcase
Revision	1



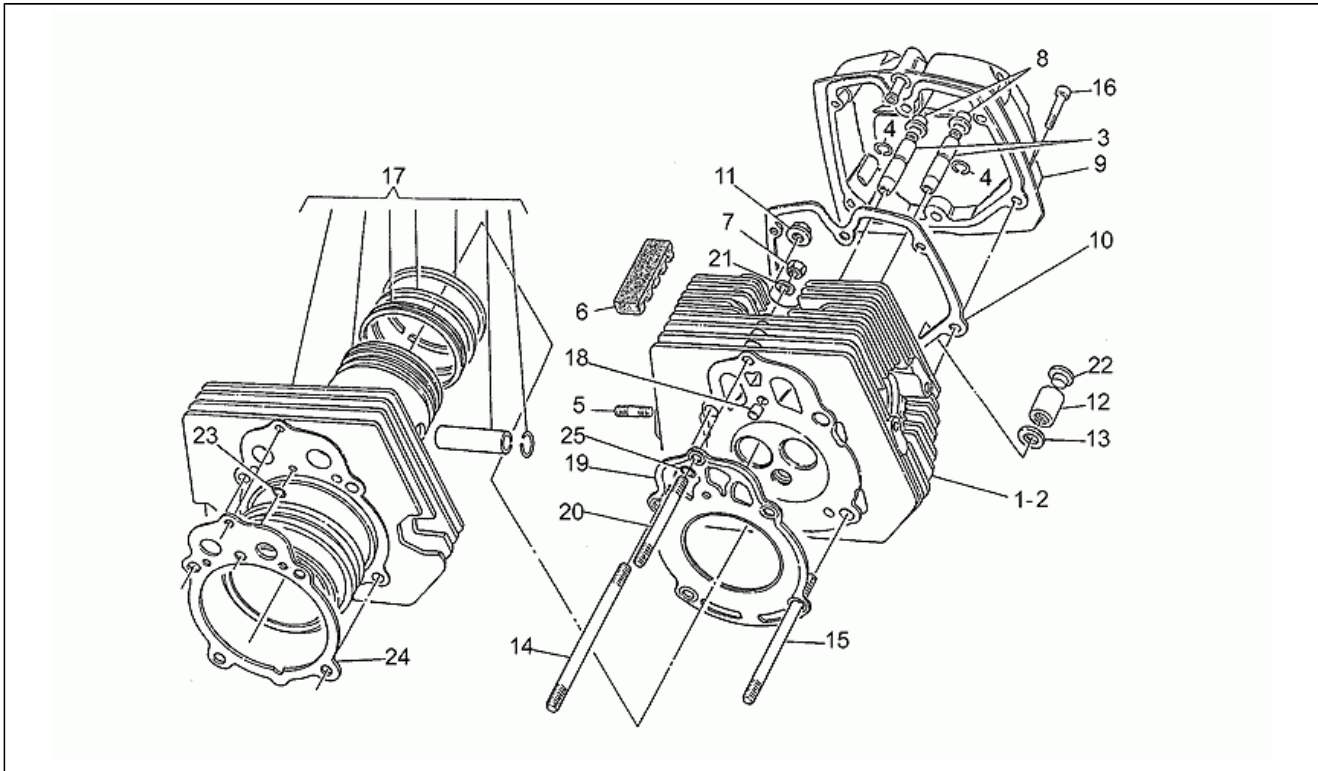
Pos.	Code	Description	Q.ty	Variants
1	GU20000320	Crankcase, grey	1	
2	GU96451560	Stud bolt	4	
3	GU96451430	Stud bolt	4	
4	GU96508055	Stud bolt	2	
5	GU19015020	Bush	4	
6	GU61270300	Spring washer 8x15x0,3	6	
7	GU92601208	Nut	6	
8	GU19003800	Union	1	
9	GU19002020	Bush 6,6x9x13	2	
10	GU19016320	Plug	1	
11	GU90401530	Gasket ring	1	
13	GU90405367	Gasket ring	1	
14	GU31001480	Cover grey	1	
15	GU19001200	Gasket	1	
16	GU98622325	Hex socket screw M6X25	22	
17	GU19017120	Plug	1	
18	GU90402038	Gasket ring	1	
19	GU19003502	Motor oil cup	1	
20	GU19003602	Gasket	1	
21	GU95980214	Oil level plug	1	
22	GU10528900	Gasket	1	
23	GU98620335	Screw M6X35	5	
24	GU27001636	Cover	1	
25	GU27001136	Flange	1	
26	GU19003400	Cover, blank	1	
27	GU90706444	O-ring	1	
28	GU19004920	Oil filler plug	1	
29	GU90706282	Gasket ring	1	

Assembly	ENGINE
Code	34.25
Description	Crankcase
Revision	1



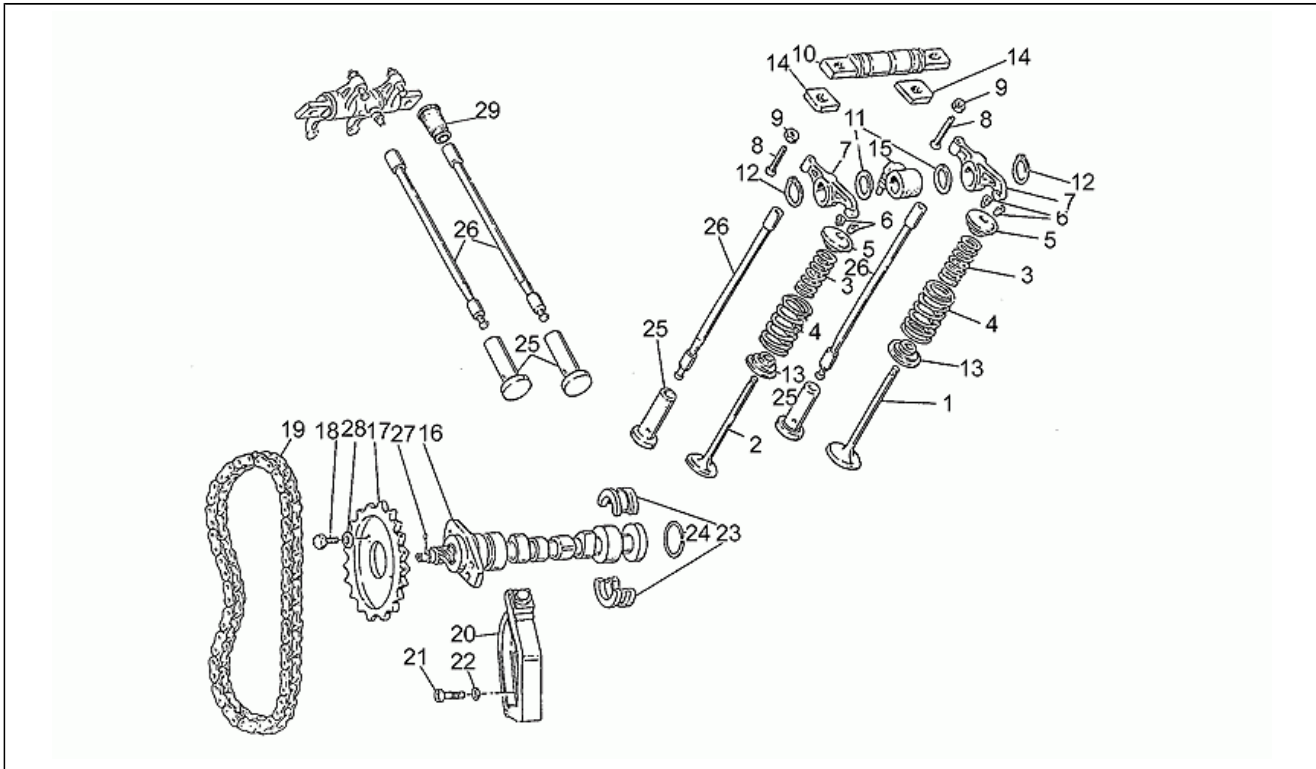
Pos.	Code	Description	Q.ty	Variants
30	GU12003702	Oil unload plug	1	
31	GU95100709	Gasket 20,1x28x2	1	
32	GU98052490	Screw m8x90	1	
33	GU12154200	Gasket 8,25x15x1	1	
34	GU31999565	Oil seals - set	1	
35	GU27999060	Gasket set	1	
36	GU92660010	Column nut	4	
37	GU19015460	Plug	1	
38	GU95129180	Washer 10,5X18X0,8	4	
39	GU98620330	Screw M6X30	2	

Assembly	ENGINE
Code	34.26
Description	Cylinder head
Revision	1



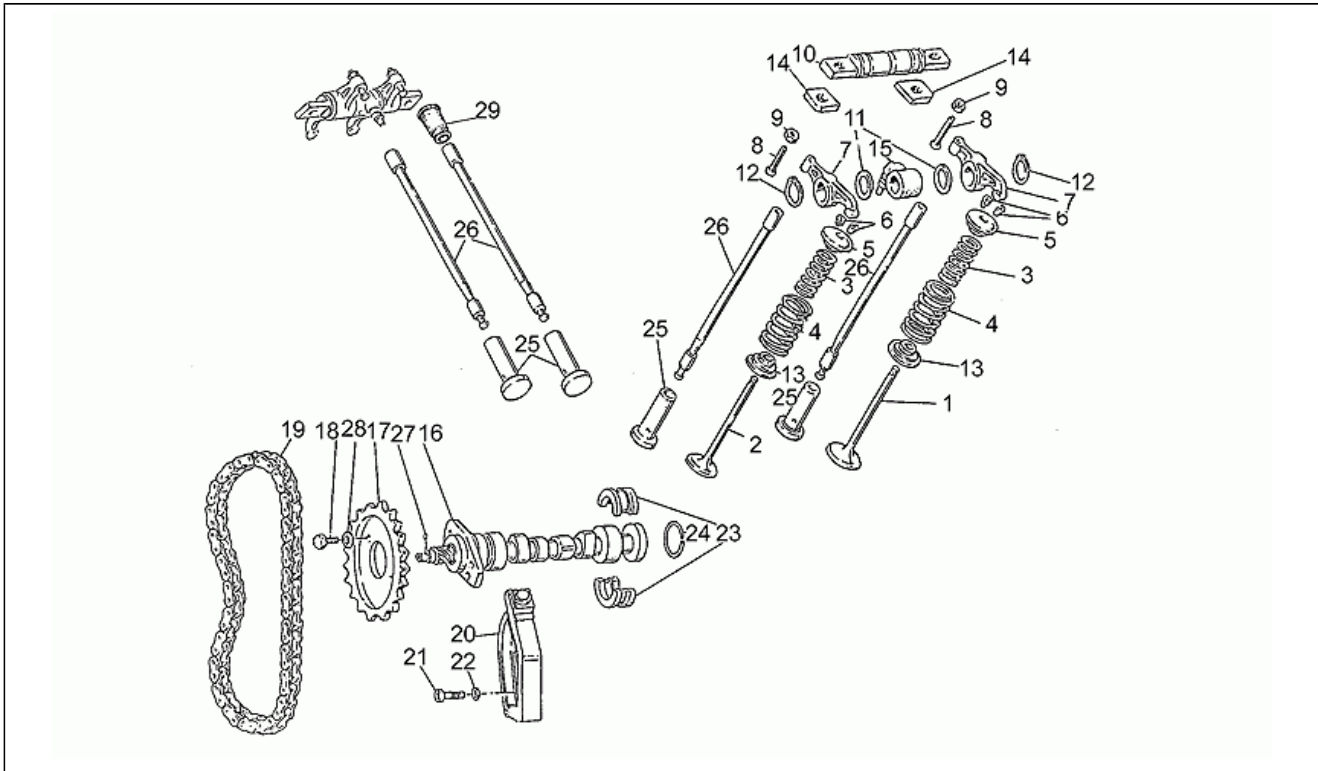
Pos.	Code	Description	Q.ty	Variants
1	GU19022180	RH head	1	
2	GU19022280	LH head	1	
3	GU61036801	Valve guide	4	
4	GU90353009	Snap ring	4	
5	GU96506042	Stud bolt	4	
6	GU19025300	Anti-vibration plate	4	
7	GU19021920	Nut	2	
8	GU19037820	Oil seal	4	
9	GU19023520	Valves cover	2	
10	GU19023700	Gasket	2	
11	GU92660010	Column nut	4	
12	GU13021900	Column nut	4	
13	GU95129180	Washer 10,5X18X0,8	4	
14	GU96510200	Tie rod	4	
15	GU96510143	Tie rod 143 mm	4	
16	GU98610325	Screw	12	
17	GU23060190	Cylinder with piston	2	
18	GU19021360	Bush	2	
19	GU27022060	Gasket	2	
20	GU96508125	Tie rod	2	
21	GU61270300	Spring washer 8x15x0,3	2	
22	GU93180245	Plug	4	
23	GU61027200	O-ring	2	
24	GU27020820	Gasket	2	
25	GU90706076	O-ring	2	

Assembly	ENGINE
Code	34.27
Description	Timing system
Revision	1



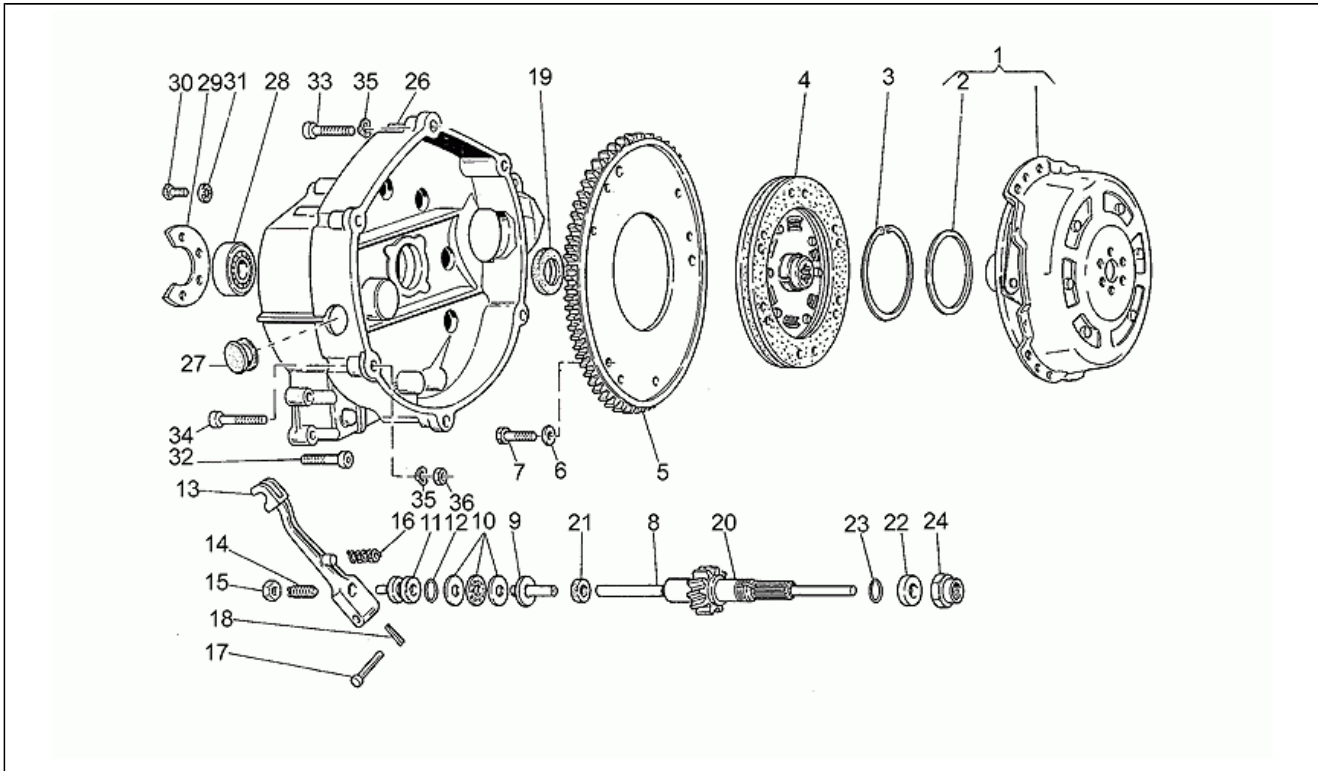
Pos.	Code	Description	Q.ty	Variants
1	GU19036082	Intake valve	2	
2	GU19036183	Exhaust valve	2	
3	GU61037600	Spring	4	
4	GU61037500	Spring	4	
5	GU61038000	Upper cup	4	
6	GU61038100	Half-cone	8	
7	GU19030500	Rocker arm assy.	4	
8	GU19034000	Screw	4	
9	GU92602406	Nut M6x1	4	
10	GU19032080	Rocker shaft	2	
11	GU19032380	Thrust washer	4	
12	GU90271018	Circlip	4	
13	GU61037000	Lower cup	4	
14	GU19032980	Spacer	4	
15	GU19027500	Hose	2	
16	GU27053362	Camshaft	1	
17	GU19054521	Timing system gear	1	
18	GU61054900	Bolt	2	
19	GU19058021	Camshaft chain	1	
20	GU19058220	Chain stretching drive	1	
21	GU98822316	Screw	1	
22	GU95129115	Washer	1	
23	GU19055700	Sector	2	
24	GU90353029	Snap ring	1	
25	GU19045861	Tappet	4	
26	GU19045060	Rocker arm rod	4	
27	GU95512035	Roller	1	
28	GU23217800	Safety washer	2	

Assembly	ENGINE
Code	34.27
Description	Timing system
Revision	1



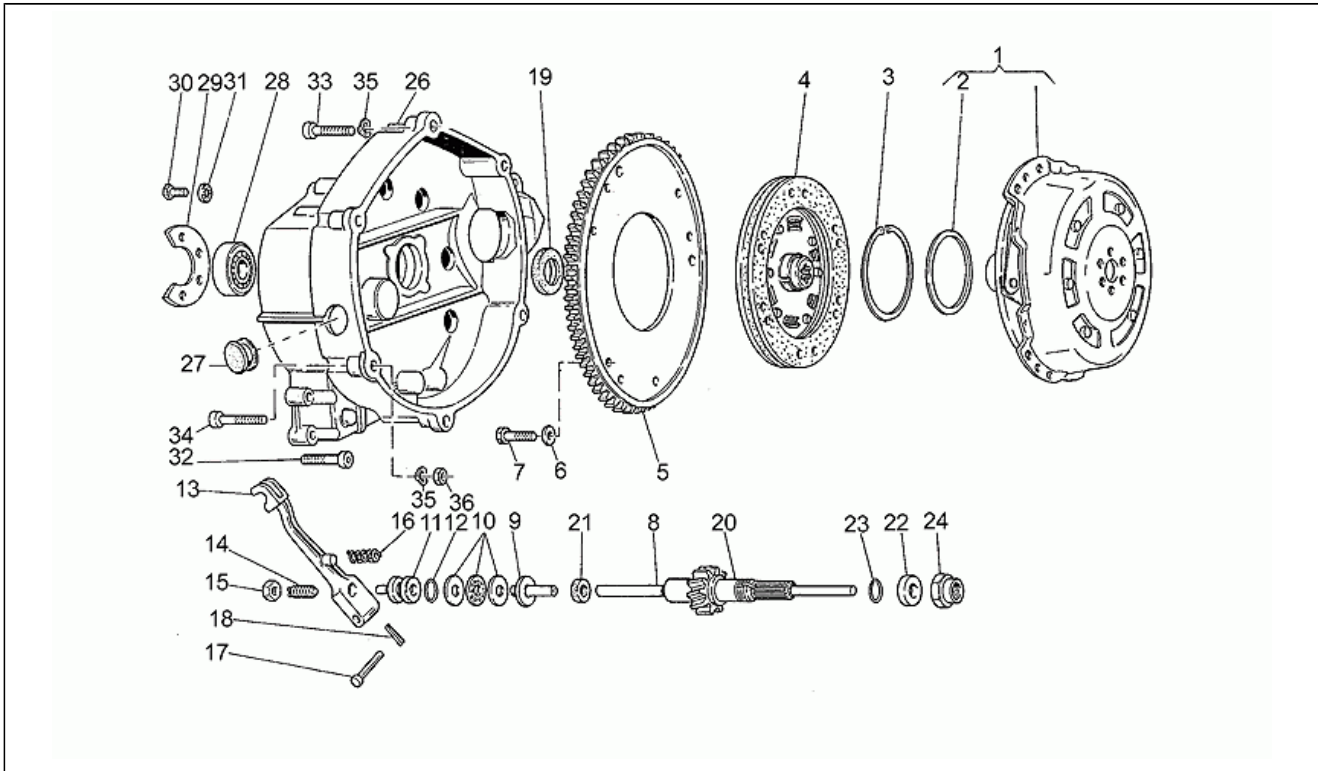
Pos.	Code	Description	Q.ty	Variants
29	GU27045420	Cap	4	

Assembly	ENGINE
Code	34.28
Description	Clutch
Revision	1



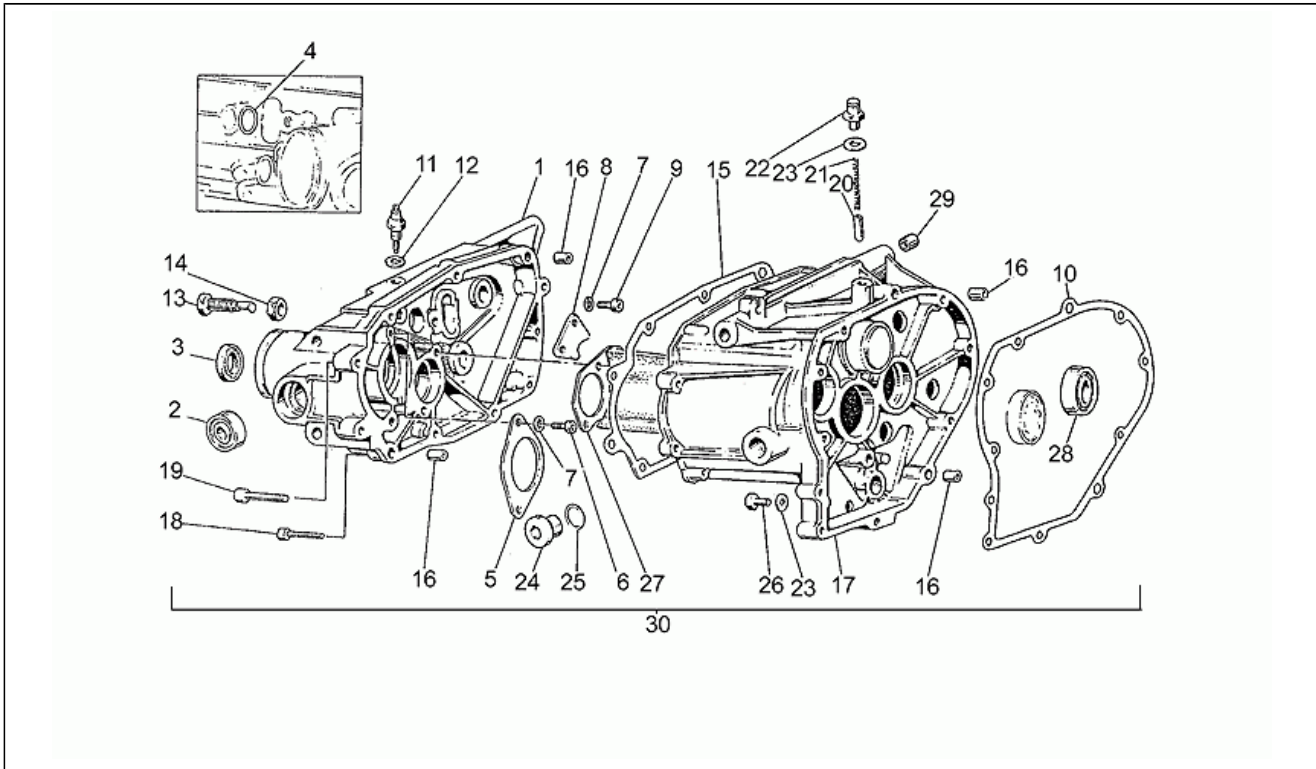
Pos.	Code	Description	Q.ty	Variants
1	GU27080160	Clutch AP	1	
2	GU19083462	New cup type	1	
3	GU90272075	Snap ring	1	
4	GU27084460	Driven clutch disc	1	
5	GU19067900	Chain ring MOTOPLAT	1	
6	GU14217901	Washer 6,4x10x0,7	6	
7	GU98054316	Hex screw M6X16	6	
8	GU20085720	Rod	1	
9	GU14086000	Inner body	1	
10	GU12087001	Thrust bearing	1	
11	GU14086100	Outer body	1	
12	GU90706170	O-ring 17,13x2,62	1	
13	GU14090201	Clutch release shaft	1	
14	GU14090400	Adjuster screw	1	
15	GU92602508	Nut M8X1	1	
16	GU94321105	Lever return spring	1	
17	GU95780271	Pin 7x39	1	
18	GU95500222	Split pin	1	
19	GU90403245	Gasket ring	1	
20	GU19210760	Transmission shaft Z=15	1	
21	GU90400616	Gasket ring 6x16x7	1	
22	GU19213760	Spacer	1	
23	GU90706235	O-ring 23,52x1,78	1	
24	GU19356760	Nut	1	
26	GU19200462	Clutch drum	1	
27	GU93180220	Plug	1	
28	GU92201225	Bearing 25x52x15	1	
29	GU19203460	Bearing fixing plate	1	

Assembly	ENGINE
Code	34.28
Description	Clutch
Revision	1



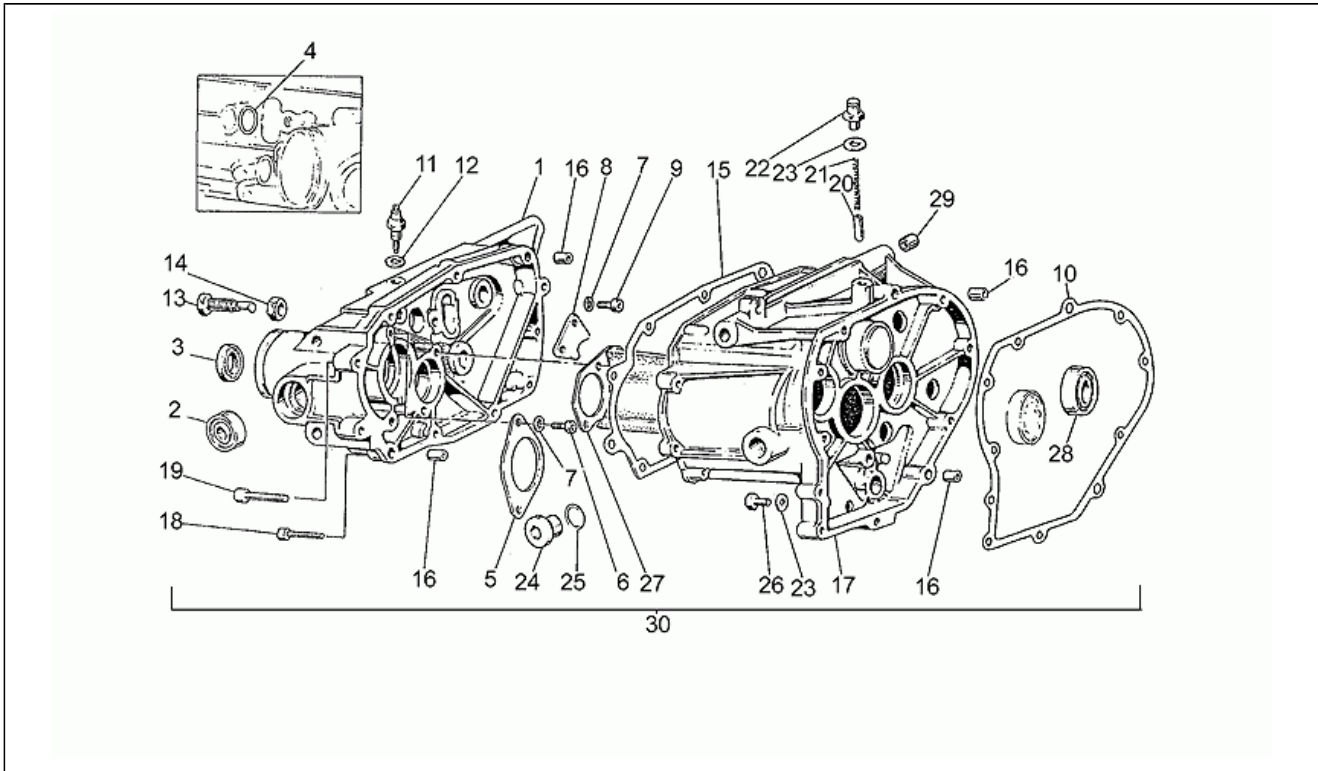
Pos.	Code	Description	Q.ty	Variants
30	GU98054314	Screw	3	
31	GU14217901	Washer 6,4x10x0,7	3	
32	GU98620330	Screw M6X30	11	
33	GU98620435	Screw M8X35	5	
34	GU98620450	Screw	1	
35	GU61270300	Spring washer 8x15x0,3	6	
36	GU92602208	Nut M8X1,25	1	

Assembly	ENGINE
Code	34.31
Description	Transmission cage
Revision	1



Pos.	Code	Description	Q.ty	Variants
1	GU31200880	Gearbox cover, grey	1	
2	GU92204215	Bearing 15x35x11	2	
3	GU90402841	Gasket ring 28x40x7	1	
4	GU90706140	O-ring 13,95x2,92	1	
5	GU19213820	Plate	1	
6	GU98622314	Screw	4	
7	GU14217901	Washer 6,4x10x0,7	6	
8	GU19235800	Plate	1	
9	GU98622314	Screw	2	
10	GU19200320	Gasket	1	
11	GU19207220	Sensor	1	
12	GU12154200	Gasket 8,25x15x1	1	
13	GU19237800	Screw M12x1,25	1	
14	GU92602512	Low nut M12x1,25	1	
15	GU19201120	Gasket	1	
16	GU19002020	Bush 6,6x9x13	4	
17	GU31200280	Gearbox, grey	1	
18	GU98620330	Screw M6X30	7	
19	GU98620435	Screw M8X35	4	
20	GU55234700	Pawl	1	
21	GU94321067	Lever return spring	1	
22	GU19206501	Breather plug	1	
23	GU10528900	Gasket	2	
24	GU12022600	Oil plug	1	
25	GU90706203	O-ring 20,24x2,62	1	
26	GU95980214	Oil level plug	1	
27	GU19208220	Oil bulhead	1	
28	GU92201120	Ball bearing 20x42x12	1	

Assembly	ENGINE
Code	34.31
Description	Transmission cage
Revision	1



Pos.	Code	Description	Q.ty	Variants
29	GU19202320	Bush 10,25x15,7x8	2	
30	GU27991561	Transmission assy and housing	1	